

Plastic Lath

Better Than Metal

Patent pending



Ultra-Lath® Plus



Ultra-Lath®



superior ■ non-rusting ■ chemical-resistant ■ easy on hands

THE PROVEN ALTERNATIVE TO METAL LATH

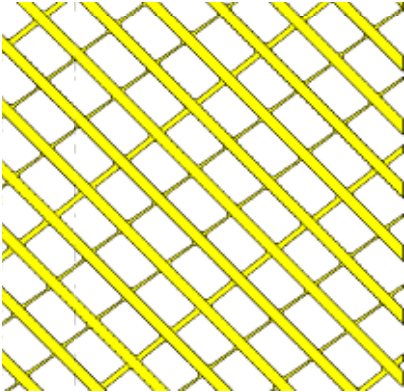




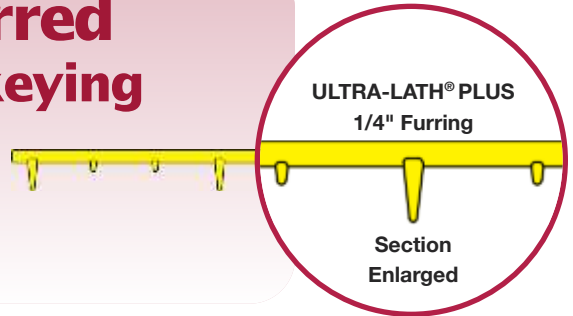
Ultra-Lath® Plus



**For Three-Coat Stucco
& Stone Veneer Systems**



1/4" Self-Furred
For excellent keying
of stucco to
substrate



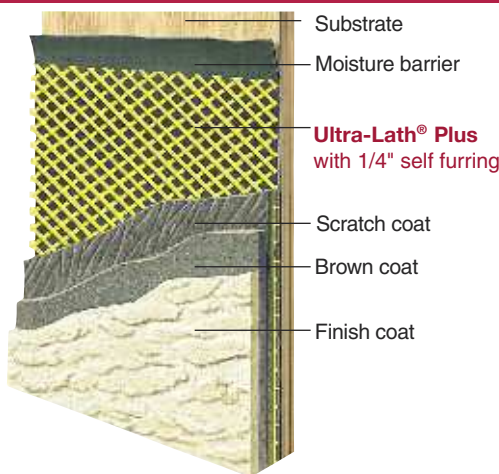
- Non-rusting
- Lightweight
- Not affected by chemicals
- Won't cut your hands
- Less overlapping required when using rolls



C1764, C1780



UER #0284



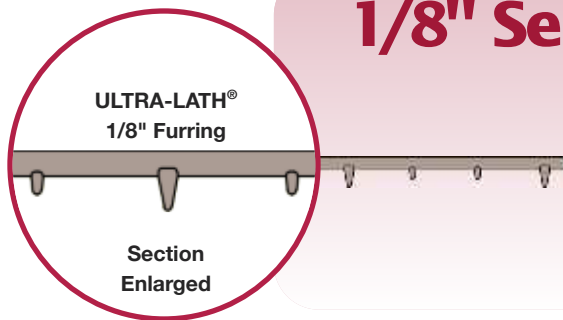
Asphalt-impregnated paper backed sheets available in Ultra-Lath® Plus only. Combining paper and lath applications into one process saves even more time!



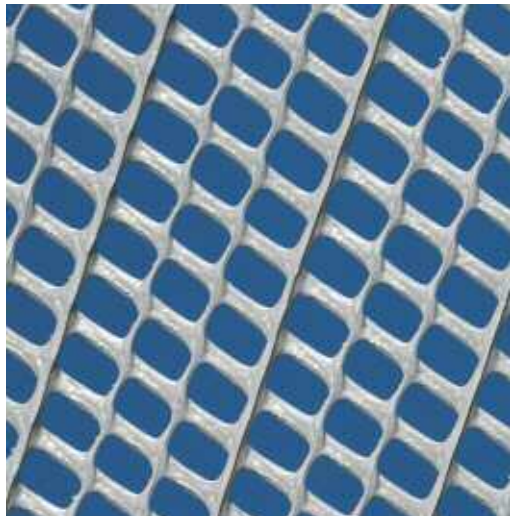
Ultra-Lath®

**For Hardscapes, Flooring,
Radiant Flooring & Drainage Mats**

1/8" Self-Furred



- No shorts in electrical or cut water lines when used with radiant floors
- Offers high compressive strength for use as a drainage mat - won't crimp at fastening points
- Non-rusting and lightweight
- Not affected by chemicals
- Easy on hands - no cuts
- Less overlapping required when using rolls



Both available in rolls, strips and sheets

ULTRA-LATH® PLUS

Catalog Number	Product Description SHEETS	Sheets/Sq Ft per Bundle	Bundles/Sq Ft per Pallet
PDM2796-25		10/180 sq ft	20/3,600 sq ft
PDM2796PB-25 Paper backed with asphalt-impregnated Type 1, Grade D, Style 2 paper w/ standard offset	1/4" Self-furred Plastic lath sheets 27" x 96" (686 mm x 2.4M)	10/180 sq ft	20/3,600 sq ft

ULTRA-LATH® PLUS

Catalog Number	Product Description ROLLS	Sq Ft per Roll	Rolls/Sq Ft per Pallet
PDMR-25	1/4" Self-furred Plastic lath rolls 27" x 75' (686 mm x 22.9M)	168	18 rolls/ 3,024 sq ft

ULTRA-LATH® PLUS STRIP LATH

Catalog Number	STRIP-LATH Width	Length	Pieces per Box
1/4" Self-furred			
PDM3-25	3" (76 mm)	96" (2.4M)	50
PDM4-25	4" (102 mm)		
PDM6-25	6" (152 mm)		
PDM8-25	8" (203 mm)		

ULTRA-LATH®

Catalog Number	Product Description SHEETS	Sheets/Sq Ft per Bundle	Bundles/Sq Ft per Pallet
PDM2796	1/8" Self-furred Plastic lath sheets 27" x 96" (686 mm x 2.4M)	10/180 sq ft	25/4,500 sq ft

ULTRA-LATH®

Catalog Number	Product Description ROLLS	Sq Ft per Roll	Rolls/Sq Ft per Pallet
PDMR	1/8" Self-furred Plastic lath rolls 27" x 100' (686 mm x 30.5M)	225	18 rolls/ 4,050 sq ft

ULTRA-LATH® STRIP LATH

Catalog Number	STRIP-LATH Width	Length	Pieces per Box
1/8" Self-furred			
PDM3	3" (76 mm)	96" (2.4M)	50
PDM4	4" (102 mm)		
PDM6	6" (152 mm)		
PDM8	8" (203 mm)		



UER #0284



Ultra-Lath Plus

Patent pending



ULTRA-LATH® PLUS
for Three-coat Stucco and Stone Veneer



Ultra-Lath

ULTRA-LATH®
for Hardscapes, Flooring, Radiant Flooring, Drainage Mats

DISTRIBUTED BY:

PLASTIC PC
COMPONENTS inc.

For best results use Plastic Components' PVC trims with all Ultra-Lath Plus applications.

9051 NW 97th Terrace Miami, FL 33178 800.327.7077 • Fax 305.887.2452 • www.plasticcomponents.com