

Stucco and Plaster

45 YEARS
PLASTIC
COMPONENTS

Section: 09200

Critter Control™ Casing Bead

Product Number	Dimension A Casing Bead w/weep holes	Back Flange Dimension B	Pieces in Box
1058-50WP	5/8" (16 mm) weeped ground	1/2" (13 mm)	50
1078-50WP	7/8" (22 mm) weeped ground	1/2" (13 mm)	50
1058-58WP	5/8" (16 mm) weeped ground	5/8" (16 mm)	50
1078-58WP	7/8" (22 mm) weeped ground	5/8" (16 mm)	50

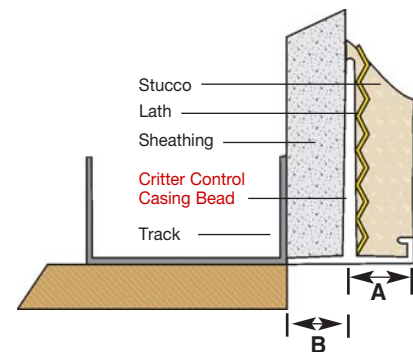
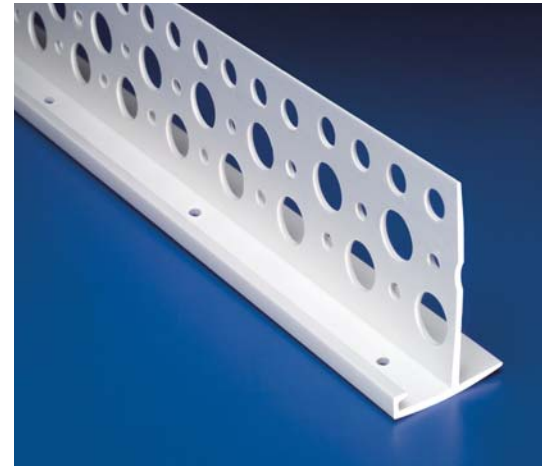
10' (3 m) Lengths

Application:

Designed to terminate stucco at the base of a wall while serving as a cap for sheathing. Weep holes in the ground drain moisture away from the base of the wall.

Specification:

Critter Control™ Casing Bead shall be Plastic Components, Inc. #_____. All exterior accessories shall conform to ASTM standards D1784, C1063 and D4216. All products shall be third party tested to meet ASTM standard D4216 and be Canadian Code Compliant. They shall be used where specified by the architect and installed per industry standards.



All butt joints, intersections and ends shall be caulked at the time of installation using an elastomeric sealant, such as Plastic Components' Ultra-Tech™ (PC-ULTW).