

Stucco and Plaster

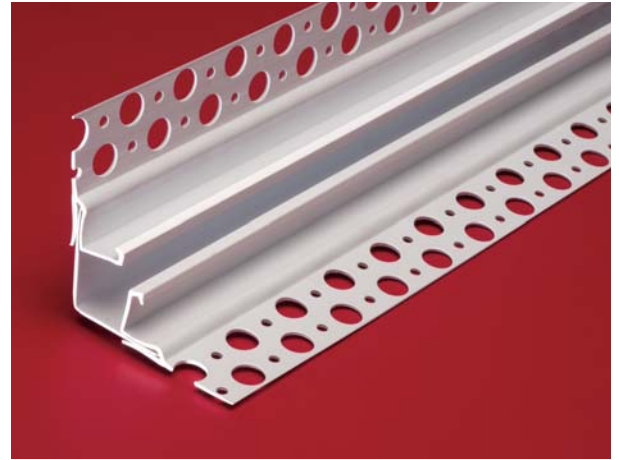
45 YEARS
PLASTIC COMPONENTS

Section: 09200

Inside/Outside Corner Slip Joint/Expansion Joint

Product Number	Ground	Dimensions/Descriptions	Pieces Per Box
511-38	3/8" (10 mm)	Slip joint reveal adjusts from 3/4" to 1" (19 mm to 25 mm)	15
511-50	1/2" (13 mm)		15
511-58	5/8" (16 mm)		15
511-75	3/4" (19 mm)		15
511-78	7/8" (22 mm)		12

10' (3 m) Lengths • **Product ships unassembled.**

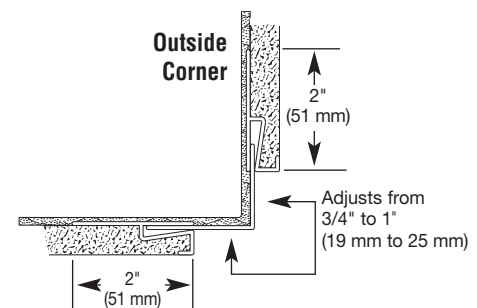
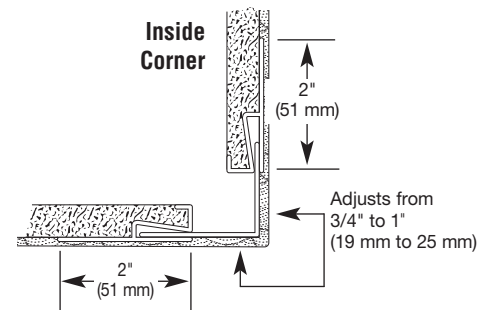


Application:

Designed to form a plastered inside corner and absorb the movement of two 90° connecting walls.

Specification:

The Inside Corner Slip Joint will be Plastic Components, Inc. #_____. All exterior accessories shall conform to ASTM standards D1784, C1063 and D4216. All products shall be third party tested to meet ASTM standard D4216 and be Canadian Code Compliant. They shall be used where specified by the architect and installed per industry standards.



All butt joints, intersections and ends shall be caulked at the time of installation using an elastomeric sealant, such as Plastic Components' Ultra-Tech™ (PC-ULTW).