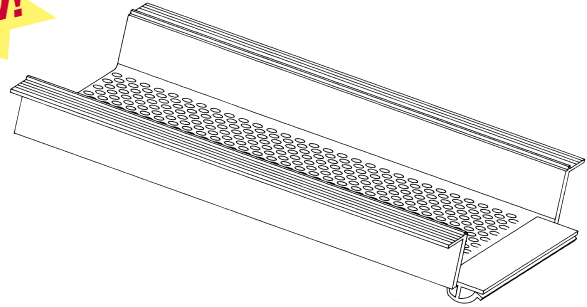


Section: 07240

## Continuous Soffit Vent

Product Number	Vent Area	Air Flow Per Linear ft.	Pieces Per Box
<b>548-58HI</b>	2-5/8" (67 mm)	14 sq. in. (9,033 sq. mm)	13

10' (3 m) Lengths – Connector clips included.


**NEW!**


### Application: Soffit Vent

Designed specifically for sheathing products. Has a built-in stop (1/8"-3 mm) to assure proper base thickness as well as maintaining a clean finish edge. The serrated top flange with stop is designed for positive material bonding and as a termination point for the finish. Will not rust, excellent paint adhesion. Connector clips are provided to eliminate sagging at butt joints.

### Specification:

Continuous Soffit Vent will be Plastic Components, Inc. #\_\_\_\_\_. All exterior accessories shall conform to ASTM standards D1784, C1063 and D4216. All products shall be third party tested to meet ASTM standard D4216 and be Canadian Code Compliant. They shall be used where specified by the architect and installed per industry standards.



The base coat mesh should be lapped over the top of the perforated flanges and across all butt joints.