

Exterior Insulated Finishes



Section: 07240

Extreme Moisture STARTER TRAC®

Product Number	Description/Dimension A STARTER TRAC® w/ 3" (76 mm) back flange	Pieces Per Box
SB-EMT75	3/4" (19 mm)	30
SB-EMT1	1" (25 mm)	30
SB-EMT15	1-1/2" (38 mm)	30
SB-EMT2	2" (51 mm)	30

10' (3 m) Lengths



Also available in Tan and Gray, contact Customer Service at (800) 327-7077 for more information.

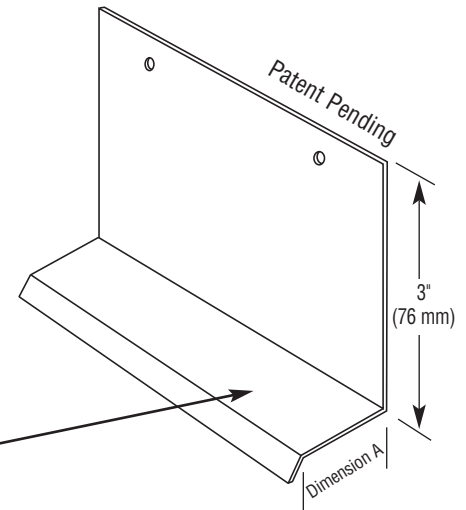
Application:

Plastic Components' SB-EMT Starter TRAC™, is the PVC trim to choose for extreme moisture conditions.

For use at the base of a wall, this new Starter TRAC has a 3" (89 mm) back flange and sloped front edge to move moisture out and away from the wall assembly.

Specification:

Starter TRAC™ for extreme moisture areas will be Plastic Components, Inc. #_____. All exterior accessories shall conform to ASTM standards D1784, C1063, and D4216. All products shall be third party tested to meet ASTM standard D4216 and be Canadian Code Compliant. They shall be used where specified by the architect and installed per industry standards.



The base coat mesh should be lapped over the top of the perforated flanges and across all butt joints.

800.327.7077 ■ Fax 305.887.2452
www.plasticcomponents.com