

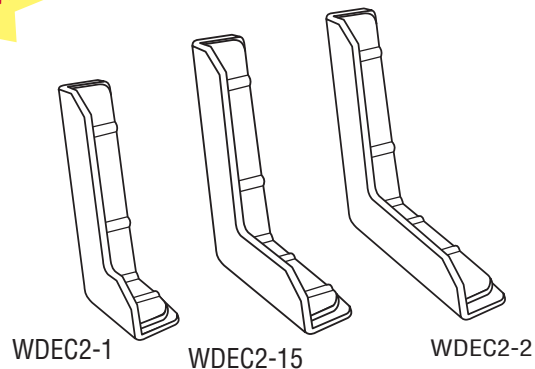
# Exterior Insulated Finishes

Section: 07240

## End Caps for SB Series

Product Number	Description/Dimensions		Sets Per Box
	Back Flange	Bottom Flange	
<b>WDEC2-1</b>	2" (51 mm)	1" (25 mm)	25
<b>WDEC2-15</b>	2" (51 mm)	1-1/2" (38 mm)	25
<b>WDEC2-2</b>	2" (51 mm)	2" (51 mm)	25

Patented



### Application:

End Caps for SB Series direct water out the front of the window/door assembly. They block entry of pests – low profile design discourages nesting. Come in 3 sizes and deliver increased moisture management in your EIFS projects.

### Specification:

End Caps for SB and WDA series drip edges shall be Plastic Components, Inc. #\_\_\_\_\_. All exterior accessories shall be of PVC material conforming to ASTM standards D1784, C926, C1063 and D4216. All products shall be third party tested to meet ASTM standard D4216 and be Canadian Code Compliant. They shall be used where specified by the architect and installed per industry standards.