

# Stucco and Plaster

Section: 09200

## Three Piece Continuous Soffit Vent with 90° Leg

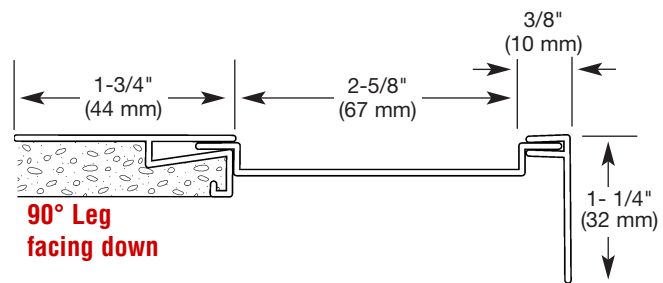
Product Number	Ground	Vent Area	Air Flow/linear ft.	Pieces Per Box
551-50	1/2" (13 mm)	Three part soffit vent with 90° leg. Standard 2-5/8" (67 mm) vent included.	15 sq. in. (9,678 sq. mm)	13
551-58	5/8" (16 mm)		15 sq. in. (9,678 sq. mm)	13
551-75	3/4" (19 mm)		15 sq. in. (9,678 sq. mm)	13
551-78	7/8" (22 mm)		15 sq. in. (9,678 sq. mm)	13

10' (3 m) Lengths • **Product ships unassembled.**  
**Connector Clips Included.**



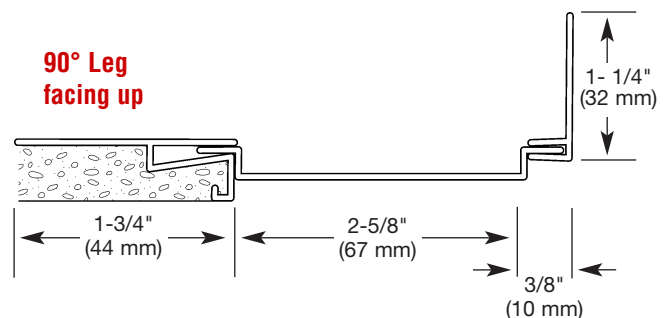
### Application:

Acts as a vented bridge between a horizontal soffit and vertical wall junction. The stucco stop is placed on the horizontal soffit side and the angled 90° leg returns up the vertical wall. Comes standard with a 2-5/8" (67 mm) wide vent; 1-3/4", 3", 4", or 6" (44 mm, 76 mm, 102 mm, or 152 mm) vent may be substituted upon request. Connector clips included.



### Specification:

Soffit Vent with 90° Leg will be Plastic Components, Inc. # \_\_\_\_\_. All exterior accessories shall conform to ASTM standards D1784, C1063 and D4216. All products shall be third party tested to meet ASTM standard D4216 and be Canadian Code Compliant. They shall be used where specified by the architect and installed per industry standards.



#### Vent Substitution

#### sizes available:

1-3/4" (44 mm)

3" (76 mm)

4" (102 mm)

6" (152 mm)

Contact Customer Service