



NEW!

Continuous Soffit Vent
with Large, 1/4" Vent Holes

Plastic Components' new Continuous Soffit Vents have a large, 1/4" (6 mm) vent hole configuration that offers excellent air flow, and at the same time resists paint clogging.

#549-75-25 is the non-rusting, low-cost, and simple solution to venting soffit areas. Plus, it has a 1" (25 mm) nailing flange for easier installation.

Product Number	Description Continuous Soffit Vent	Pieces in Box
549-75-25	Ground: 3/4" (19 mm) Vent area: 2-3/8" (60 mm)	10

10' (3 m) Lengths

Product Number	Description Continuous Soffit Vent	Pieces in Box
300-25	Ground: 3/8" (10 mm) Vent area: 2-5/8" (67 mm)	10

8' and 10' (2.5 and 3 m) Lengths

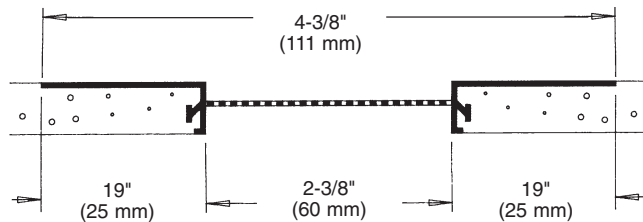
#300-25 is for installation on soffits where 3/8" sheathing material is used.

- Both vents provide 15 sq. in. (9678 sq. mm) of free air flow per linear foot.
- Excellent bond to stucco
- Corrosion and rust-proof

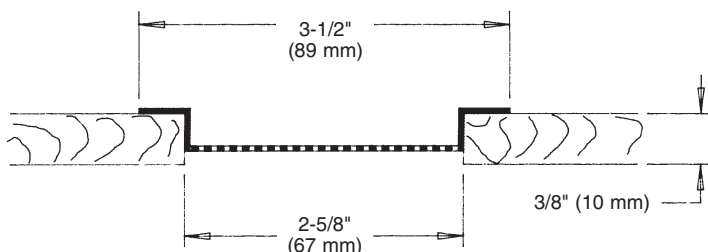
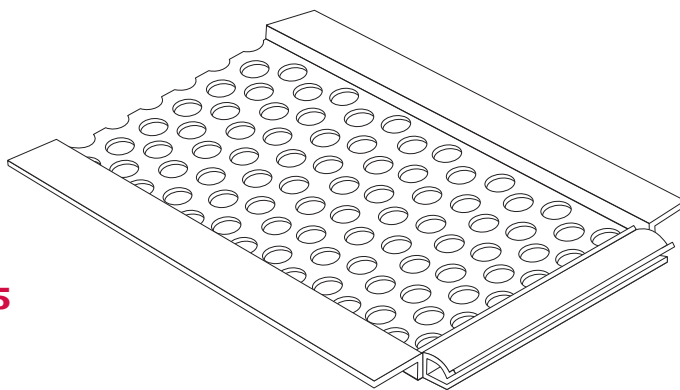
Specification

Soffit Vent shall be Plastic Components, Inc. #549-75-25 or #300-25. All exterior accessories shall be of PVC material conforming to ASTM standards D1784, C926, C1063 and D4216. They shall be used where specified by an architect and installed per industry standards.

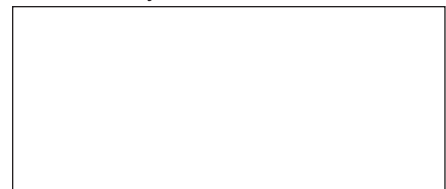
549-75-25



300-25



Distributed by



Note Caulk all butt joints, ends, angles, corners, and intersections at time of installation.

Instrucciones en español al dorso

Warnock Hersey
US
LISTED PRODUCT