

## SHADOW MOLD/"Z" MOULD

PRODUCT NUMBER	DIMENSION A	DIMENSION B	PIECES PER BOX
202	1/2"	1/2" OR MORE	50
203	3/4"	1/2" OR MORE	50
204	1"	1/2" OR MORE	50

10' LENGTHS

CAN BE USED WITH 1/2" OR 5/8" SHEATHING

**APPLICATION:** SHADOW MOLD/"Z" MOULD PROVIDES A REVEAL OR RELIEF DETAIL AROUND WINDOWS, DOORS AND WALL TO CEILING JUNCTIONS. CAN BE USED IN EITHER VERTICAL OR HORIZONTAL POSITION.

**SPECIFICATION:**

DRYWALL SHADOW MOULD / "Z" MOULD SHALL BE PLASTIC COMPONENTS, INC. # \_\_\_\_\_. ALL DRYWALL ACCESSORIES SHALL CONFORM TO ASTM STANDARDS D3678-97 AND C1047-99 AND D4216-99. FINISH COMPATIBLE WITH DRYWALL MUD AND ALL PAINT FINISHES. THEY SHALL BE USED WHERE SPECIFIED BY THE ARCHITECT AND INSTALLED PER INDUSTRY STANDARDS AND MANUFACTURER'S INSTRUCTIONS.

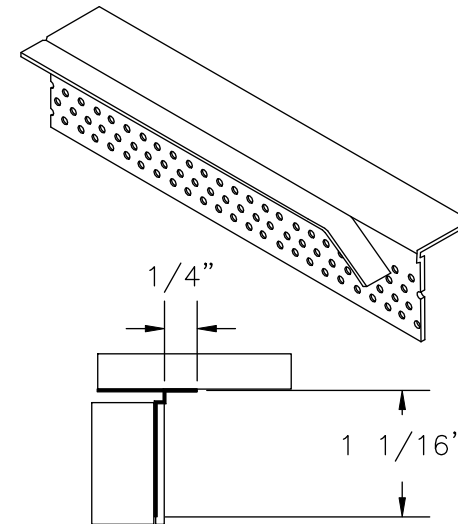
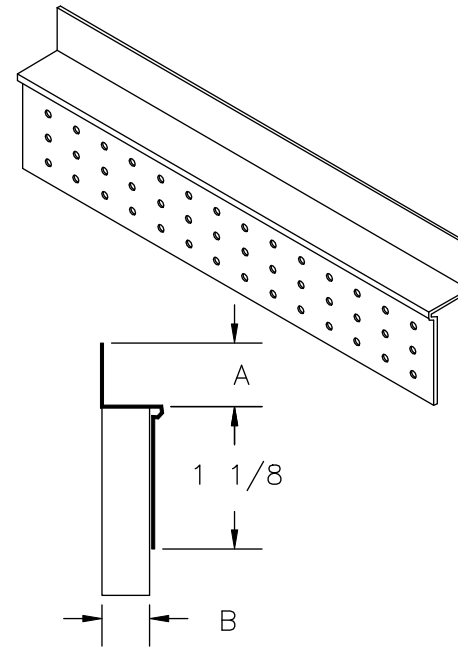
## TRIM TAB

PRODUCT NUMBER	PIECES PER BOX	PRODUCT NUMBER	PIECES PER BOX
224-50	50	224-58	50

10' LENGTHS

10' LENGTHS

**APPLICATION:** 224-50 & 224-58 TO BE USED WHERE A WALL JOINS A SUSPENDED CEILING, WINDOW OR DOOR FRAME. TEAR AWAY TAB ELIMINATES THE NEED FOR COSTLY MASKING AND PROVIDES A CLEAN DETAIL. 10' LENGTHS - 50 PIECES PER BOX.



**SPECIFICATION:**

TRIM TAB SHALL BE PLASTIC COMPONENTS, INC. #224. ALL DRYWALL ACCESSORIES SHALL CONFORM TO ASTM STANDARDS D3678-97 AND C1047-99 AND D4216-99. FINISH COMPATIBLE WITH DRYWALL MUD AND ALL PAINT FINISHES. THEY SHALL BE USED WHERE SPECIFIED BY THE ARCHITECT AND INSTALLED PER INDUSTRY STANDARDS AND MANUFACTURER'S INSTRUCTIONS.