

Stucco and Plaster

Section: 09200

Inside Corner Control Joint

Product Number	Ground	Dimensions/Descriptions	Pieces per Box
2050IC	1/2" (13 mm)	Inside corner control joint.	35
2058IC	5/8" (16 mm)		35
2075IC	3/4" (19 mm)		30
2078IC	7/8" (22 mm)		30

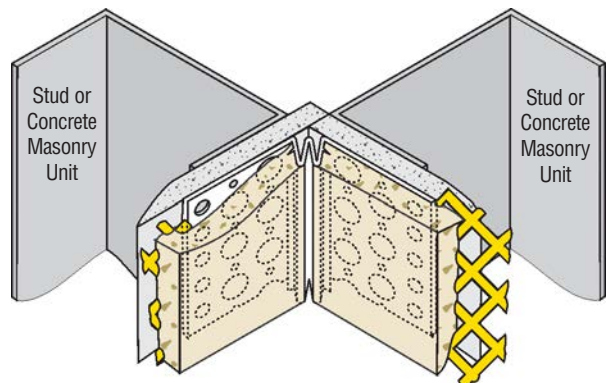
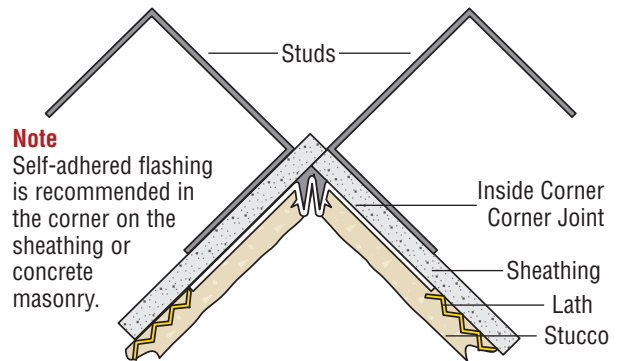
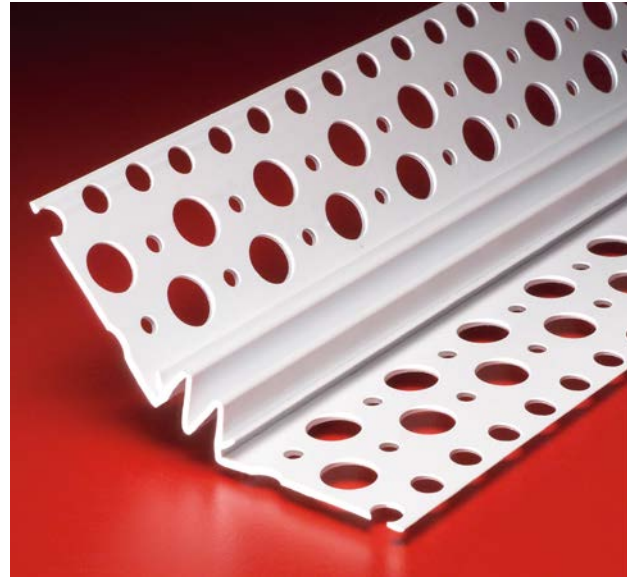
10' (3 m) Lengths

Application:

Inside Corner Control Joint relieves stress and cracking caused by expansion and contraction in the inside angles of walls and ceilings.

Specifications:

Inside Corner Control Joint shall be Plastic Components Inc. #_____. All exterior accessories shall be of PVC material conforming to ASTM standards D1784, C1063, C1861 and D4216. They shall be used where specified by the design authority and installed per industry standards.



All butt joints, intersections and ends shall be caulked at the time of installation using an elastomeric sealant, such as Plastic Components' Ultra-Tech™ (PC-ULTW).