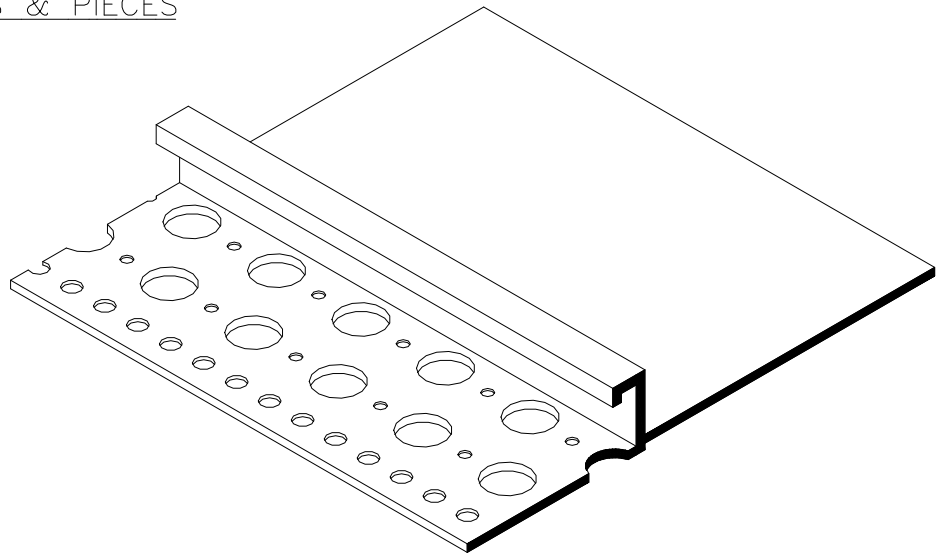


PARTS & PIECES

MALE COMPONENT OF A SLIP JOINT

PRODUCT NUMBER	DIMENSIONS/ DESCRIPTIONS	PIECES PER BOX
502M-75	PERFORATED FLANGE 1 3/4" (44 MM) UNPERFORATED AREA 3" (76 MM)	50

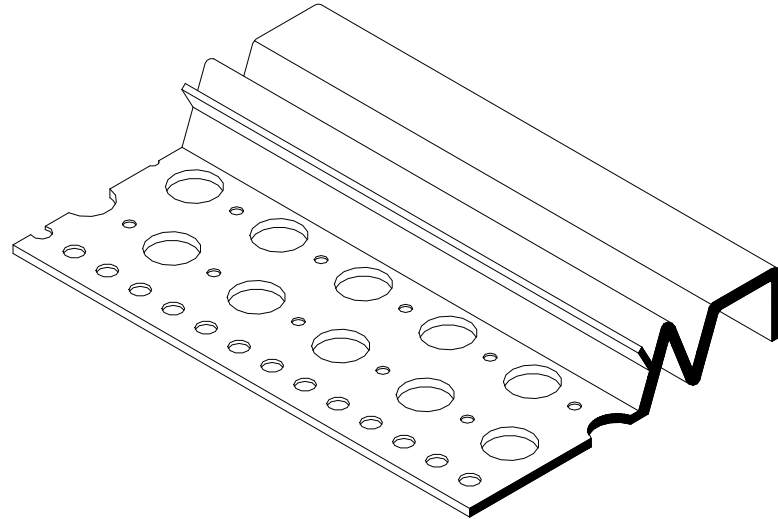
10' (3 M) LENGTHS



"W" SOFFIT DRIP

PRODUCT NUMBER	DIMENSIONS/ DESCRIPTIONS	PIECES PER BOX
540M-25	FORM "W" PORTION OF A SOFFIT DRIP	50
540M-38		60
540M-58		50
540M-50		50
540M-75		50
540M-78		50

10' (3 M) LENGTHS



MALE COMPONENT OF A SLIP JOINT

PRODUCT NUMBER	DIMENSIONS/ DESCRIPTIONS	PIECES PER BOX
20M-38	PERFORATED FLANGE 1 3/4" (25 MM) UNPERFORATED AREA 3/4" (25 MM)	60
20M-50		60
20M-58		50
20M-75		50
20M-78		50

10' (3 M) LENGTHS

