

FOUNDATION SILL SCREEDS

PRODUCT NUMBER	GROUND	DIMENSION DESCRIPTION	PIECES PER BOX
631-75	3/4"	FHA SILL SCREED 2 1/2" WIDE PERFORATED FLANGE	70
631-78	7/8"		60

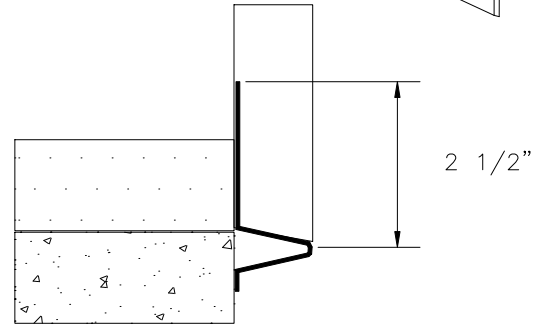
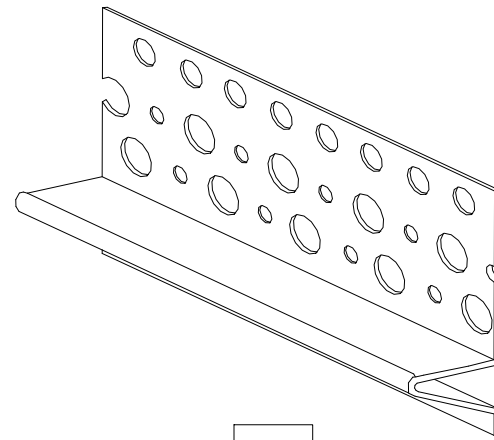
10' LENGTHS

APPLICATION:

TO BE INSTALLED AT PLATE LINE OR STEM WALL, TO PROVIDE A STUCCO STOP. DESIGN ALLOWS MOISTURE TO MIGRATE DOWN AND SHED AWAY FROM WALL.

SPECIFICATION:

PLASTER SCREEDS SHALL BE PLASTIC COMPONENTS, INC. # _____ . ALL EXTERIOR ACCESSORIES SHALL BE OF PVC MATERIAL CONFORMING TO ASTM STANDARDS D1784-97 AND C1063-99 AND D4216-99. THEY SHALL BE USED WHERE SPECIFIED BY THE ARCHITECT AND INSTALLED PER INDUSTRY STANDARDS AND MANUFACTURER'S INSTRUCTIONS.



PRODUCT NUMBER	GROUND	DIMENSION DESCRIPTION	PIECES PER BOX
632-38	3/8"	NO HOLES ON STOP	35
632-50	1/2"	FHA SILL SCREED 3 1/2" WIDE FLANGE WITH WEEP HOLES ADD SUFFIX "WP" FOR WEEP HOLES	35
632-58	5/8"		35
632-75	3/4"		35
632-78	7/8"		30
632-100	1"		25

10' LENGTHS

