

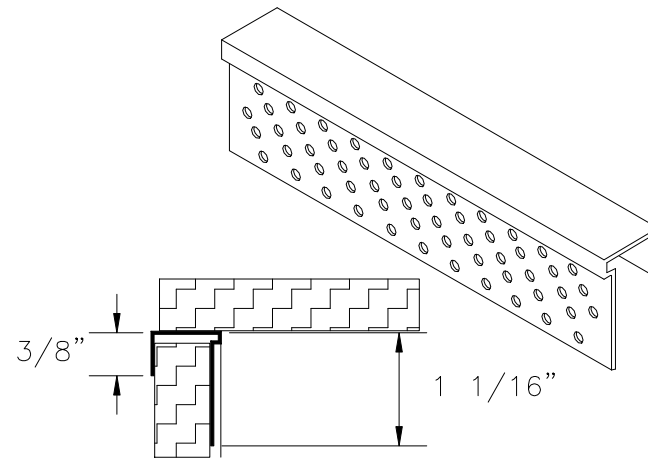
## FILLABLE "J" BEAD

PRODUCT NUMBER	DIMENSION DESCRIPTION	PIECES PER BOX
201-50	FILLABLE "J" BEAD, 1 1/16" PERFORATED FLANGE.	50
201-58		50
201-78		50

10' LENGTHS

### APPLICATION 201:

USED TO ENCASE RAW EDGES OF DRYWALL, PREVENTING MOISTURE FROM MIGRATING INTO BOARD. WIDE PERFORATED FLANGE ALLOWS TOPPING TO KEY TO BOARD AND ELIMINATING NEED TO TAPE THE FLANGE.



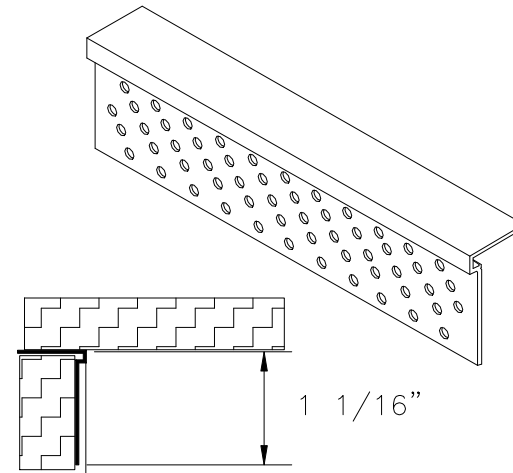
## FILLABLE "L" BEAD

PRODUCT NUMBER	DIMENSION DESCRIPTION	PIECES PER BOX
221-50	FILLABLE "L" BEAD, 1 1/16" PERFORATED FLANGE.	50
221-58		50

10' LENGTHS

### APPLICATION 221:

USED TO CREATE A CLEAN DETAIL AT ANY POINT OF TERMINATION OF DRYWALL INTO WINDOWS OR DOORS. WIDE FLANGE ALLOWS FOR POSITIONING OF TRIM TO COVER ANY UNEVEN EDGES IN SHEATHING MATERIAL. PERFORATED FLANGE ALLOWS TOPPING TO KEY TO DRYWALL, ELIMINATING NEED TO TAPE THE FLANGE.



### SPECIFICATION:

FILLABLE "J" OR "L" BEAD SHALL BE PLASTIC COMPONENTS, INC. # \_\_\_\_\_. ALL DRYWALL ACCESSORIES SHALL CONFORM TO ASTM STANDARDS D3678-97 AND C1047-99 AND D4216-99. FINISH COMPATIBLE WITH DRYWALL MUD AND ALL PAINT FINISHES. SHALL BE USED WHERE SPECIFIED BY THE ARCHITECT AND INSTALLED PER INDUSTRY STANDARDS AND MANUFACTURER'S INSTRUCTIONS.