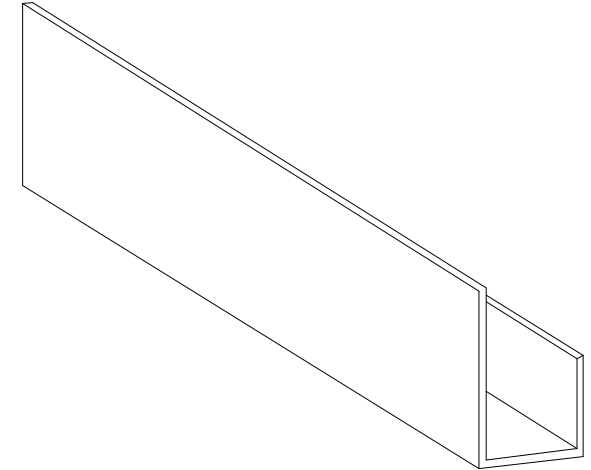


J BEAD

PRODUCT NUMBER	DIMENSION DESCRIPTION	PIECES PER BOX
200X-25	DRYWALL "J" BEAD HAS TAPERED FACE RETURN. BACK FLANGE 1" FRONT RETURN 1/2"	75
200X-38		50
200X-50		50
200X-58		50
200X-75		50



8' & 10' LENGTHS

APPLICATION:

AN EDGE TRIM FOR CAPPING VERTICAL AND HORIZONTAL EDGES OF RAW GYPSUM BOARD. PROTECTS MOISTURE FROM WEEPING INTO BOARD. WILL NOT RUST. PREVENTS ELECTROLYSIS.

SPECIFICATION:

"J" BEAD SHALL BE PLASTIC COMPONENTS, INC. # _____. ALL DRYWALL ACCESSORIES SHALL CONFORM TO ASTM STANDARDS D3678-97 AND C1047-99 AND D4216-99. FINISH COMPATIBLE WITH DRYWALL MUD AND ALL PAINT FINISHES. THEY SHALL BE USED WHERE SPECIFIED BY THE ARCHITECT AND INSTALLED PER INDUSTRY STANDARDS AND MANUFACTURER'S INSTRUCTIONS.

