

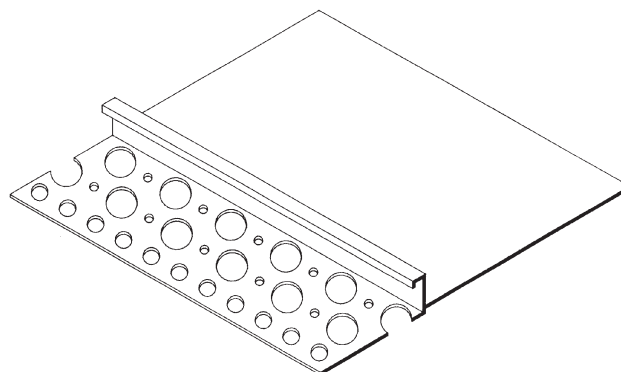
Parts & Pieces

Section: 09200

Male Component of a Slip Joint

Product Number	Dimensions/Descriptions	Pieces Per Box
502M-75	Perforated flange 1-3/4" (44 mm). Unperforated area 3" (76mm).	25

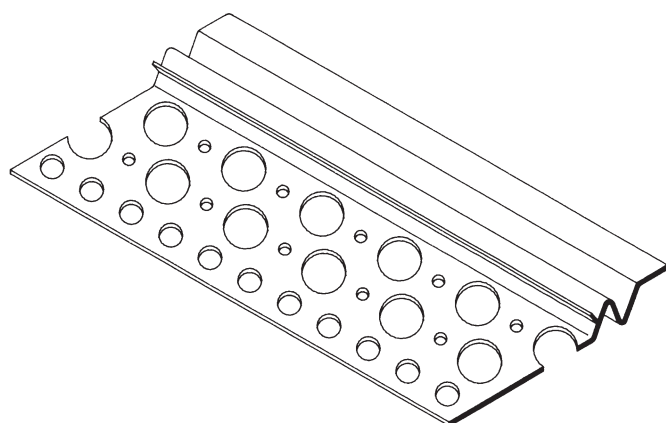
10' (3 m) Lengths



"W" Soffit Drip

Product Number	Dimensions/Descriptions	Pieces Per Box
540M-25	Forms "W" portion of a soffit drip.	50
540M-38		60
540M-50		50
540M-58		50
540M-75		50
540M-78		50

10' (3 m) Lengths



Male Component of a Slip Joint

Product Number	Dimensions/Descriptions	Pieces Per Box
20M-38	Perforated flange 1-3/4" (44 mm) Unperforated area 3/4" (19 mm).	60
20M-50		60
20M-58		50
20M-75		50
20M-78		50

10' (3 m) Lengths

