

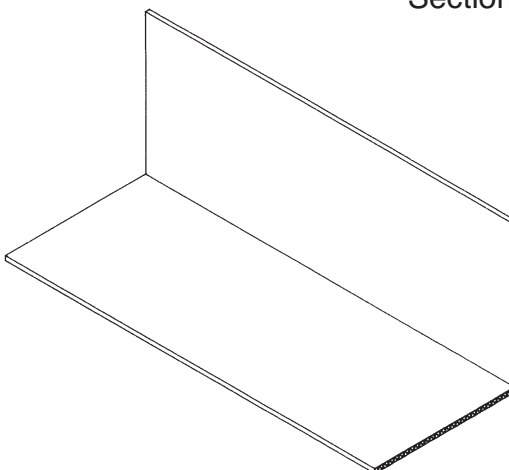
# Parts & Pieces

Section: 09200

## Inside/Outside Corner Angle

Product Number	Dimensions/Descriptions	Pieces Per Box
<b>223</b>	1-1/2" x 1-1/2" (38 mm x 38 mm) "L" angle.	50

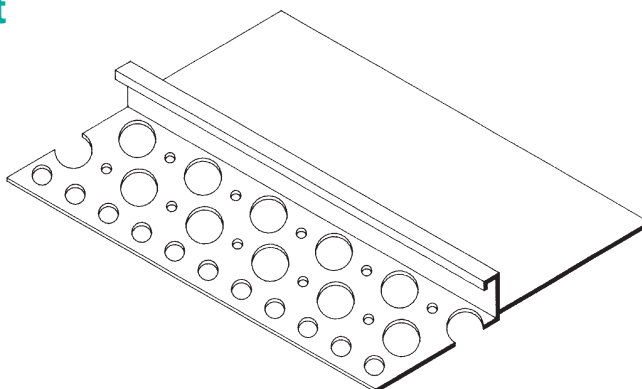
10' (3 m) Lengths



## Male Component of a Slip Joint

Product Number	Dimensions/Descriptions	Pieces Per Box
<b>500M-38</b>	Perforated flange 1-3/4" (44 mm).	40
<b>500M-50</b>		40
<b>500M-75</b>	Unperforated area 1-7/8" (48 mm).	30
<b>500M-78</b>		25

10' (3 m) Lengths



## Male Component of a Slip Joint

Product Number	Dimensions/Descriptions	Pieces Per Box
<b>501M-50</b>	Perforated flange 1-3/4" (44 mm).	50
<b>501M-58</b>		50
<b>501M-75</b>	Unperforated area 1-3/8" (35 mm).	40
<b>501M-78</b>		35

10' (3 m) Lengths

