

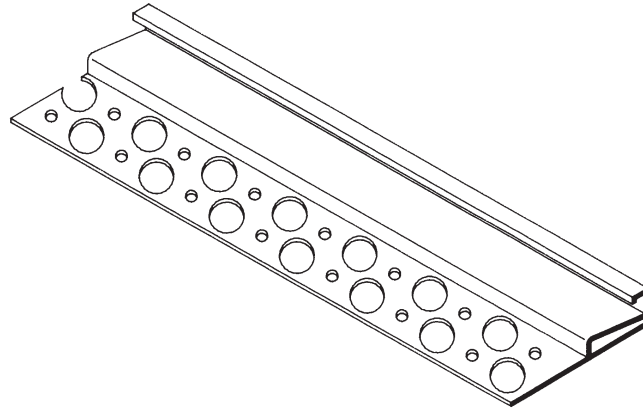
Parts & Pieces

Section: 09200

Female Component of a Slip Joint

Product Number	Dimensions/Descriptions	Pieces Per Box
F-38	Female portion of accessory for slip joints.	60
F-50		60
F-58		60
F-75		60
F-78		50

10' (3 m) Lengths



Casing Bead

Product Number	Dimensions/Descriptions	Pieces Per Box
SX-187-16	Reinforces casing bead, 1-5/8" (41 mm) perforated flange 3/16" (5 mm) lip.	75

10' (3 m) Lengths

