

# Exterior Insulated Finishes

Section: 07240

## Angled Termination Bead

Product Number	Dimensions/Descriptions	Pieces Per Box
2221-45	45° angled bead. For use around any opening as a backing for sealant.	100

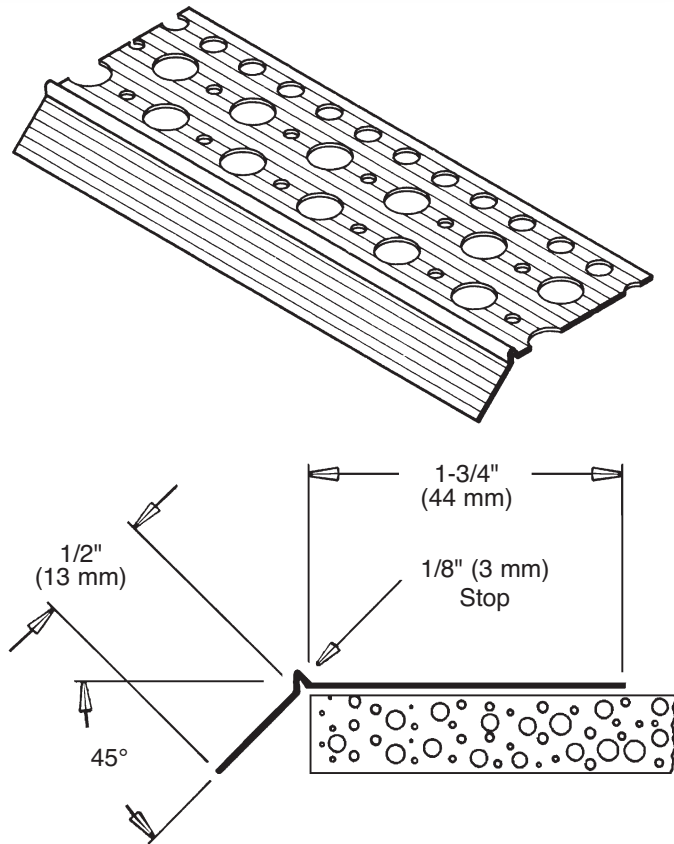
10' (3 m) Lengths

### Application:

A surface mounted 45 degree angled bead that can be used around windows, doors and any termination point as a backing for perimeter sealant application. All exposed surfaces have striations that provide a positive bonding of caulk and base material. Angled portion is 5/8" (16 mm) wide; surface flange is 1-3/4" (44 mm) wide and has a built in 1/8" (3 mm) stop to assure proper base and finish thickness.

### Specification:

Angled Termination Bead shall be Plastic Components, Inc. #2221-45. All exterior accessories shall conform to ASTM standards D1784, C1063 and D4216. They shall be used where specified by the architect and installed per industry standards.



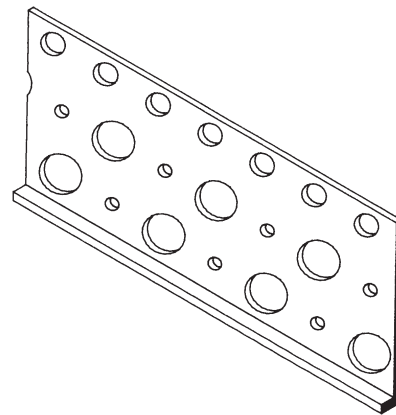
## Casing Bead

Product Number	Dimensions/Descriptions	Pieces Per Box
SX-187-16	Reinforced casing bead, 1-5/8" (41 mm) perforated flange 3/16" (5 mm) lip.	75

10' (3 m) Lengths

### Specification:

Casing Bead shall be Plastic Components, Inc. #SX-187-16. All exterior accessories shall conform to ASTM standards D1784, C1063 and D4216. They shall be used where specified by the architect and installed per industry standards.



The base coat mesh should be lapped over the top of the perforated flanges and across all butt joints.

*Caulk all butt joints, intersections and ends.*