

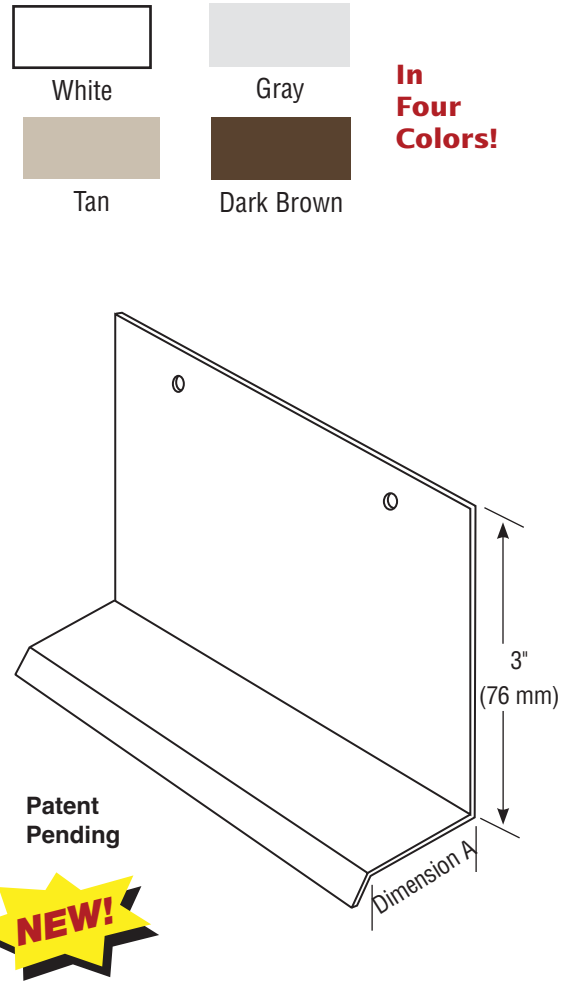
Stone Veneer

Section: 09200

Drip Edge with 3" Back Flange

Product Number	Description/ Dimension A Starter TRAC™ w/ 3" (76 mm) back flange	Pieces per Box
SB-EMT75	3/4" (19 mm)	30
SB-EMT1	1" (25 mm)	30
SB-EMT15	1-1/2" (38 mm)	30
SB-EMT2	2" (51 mm)	30
SB-EMT75TAN	3/4" (19 mm)	30
SB-EMT1TAN	1" (25 mm)	30
SB-EMT15TAN	1-1/2" (38 mm)	30
SB-EMT2TAN	2" (51 mm)	30
SB-EMT75GRAY	3/4" (19 mm)	30
SB-EMT1GRAY	1" (25 mm)	30
SB-EMT15GRAY	1-1/2" (38 mm)	30
SB-EMT2GRAY	2" (51 mm)	30
SB-EMT75DB	3/4" (19 mm)	30
SB-EMT1DB	1" (25 mm)	30
SB-EMT15DB	1-1/2" (38 mm)	30
SB-EMT2DB	2" (51 mm)	30

10' (3 m) Lengths

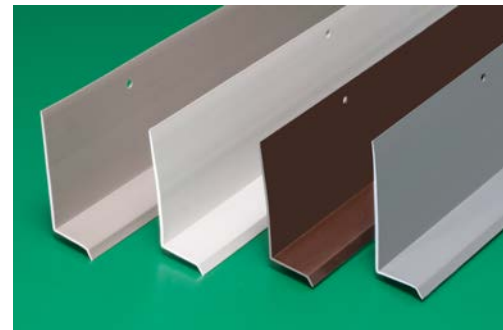


Application:

Plastic Components Drip Edge with 3" Back Flange is the PVC trim to choose for extreme moisture conditions. For use over doors, this Drip Edge has 3" (76 mm) back flange and sloped front edge to move moisture out and away from the wall assembly.

Specifications:

Drip Edge with 3" Back Flange shall be Plastic Components, Inc. #_____. All exterior accessories shall meet ASTM D1784, C1063, D4216, C1861 and C1780. They shall be used where specified by the design authority and installed per industry standards.



All butt joints, intersections and ends shall be caulked at the time of installation using an elastomeric sealant, such as Plastic Components' Ultra-Tech™ (PC-ULTW).



305.885.0561 ■ 800.327.7077
www.plasticcomponents.com