

CI/EIFS/Hard Coat

Section: 07240

CB EIFS Casing Bead with Drip Edge/Starter TRAC™

Product Name	* Dimension A	Pieces per Box
CB-50-16L	1/2" (13 mm)	60
CB-58-16L	5/8" (16 mm)	40
CB-75-16L	3/4" (19mm)	40
CB-1-16L	1" (25 mm)	40
CB-125-16L	1-1/4" (32 mm)	35
CB-15-16L	1-1/2" (38 mm)	35
CB-2-16L	2" (51 mm)	30
CB-25-16L	2-1/2" (63 mm)	30

NEW!



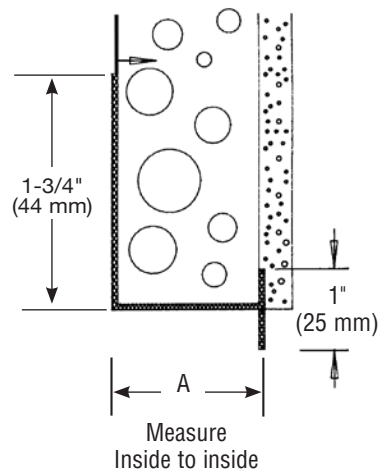
Add suffix "WP" to order with weep holes.
Example: CBWP-15-16L- 10' (3 m) Lengths
*Dimension "A"– measure inside to inside

Application:

Acts as a casing bead for the EPS board to sit in. Extended return face flange serves as a drip edge. Provides straight lines. Flange perforations allow ground coat to bond with the EPS board.

Specifications:

Starter TRAC® with Drip Edge shall be Plastic Components Inc. #_____. All exterior accessories shall meet ASTM standards D1784, C1063 and D4216, shall be third party tested and Canadian Code Compliant. They shall be used where specified by the design authority and installed per industry standards.



The base coat mesh should be lapped over the top of the perforated flanges and across all butt joints.