

CI/EIFS/Hard Coat

Section: 07240

Corner Bead

Product Number	Product Size	Pieces per Box
4	2-1/2" x 2-1/2" flange (64 mm x 64 mm)	50

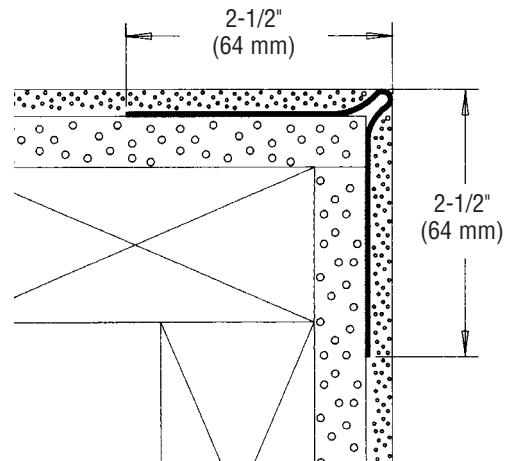
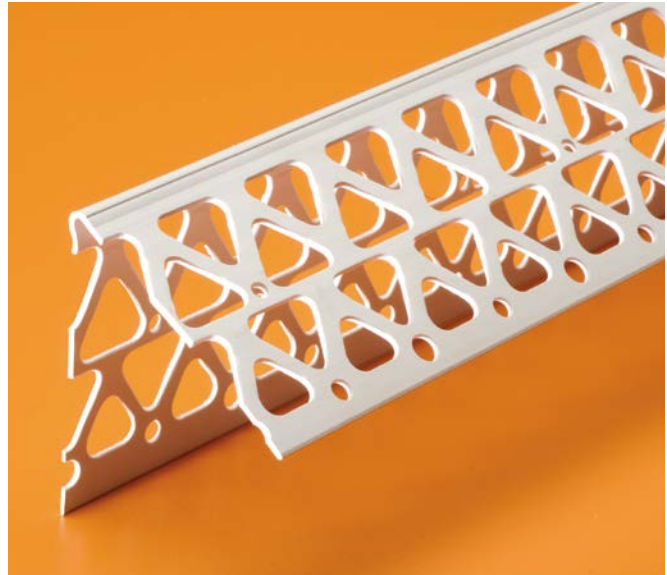
8' & 10' (2.5 & 3 m) Lengths

Application:

Eliminates costly rasping and double wrapping of corners. The nose allows for straight corners and proper depth of finish. High impact resistant.

Specifications:

Corner Bead shall be Plastic Components, Inc. #4. All exterior accessories shall meet ASTM standards D1784, C1063 and D4216, shall be third party tested and Canadian Code Compliant. They shall be used where specified by the design authority and installed per industry standards.



The base coat mesh should be lapped over the top of the perforated flanges and across all butt joints.



305.885.0561 ■ 800.327.7077
www.plasticcomponents.com