



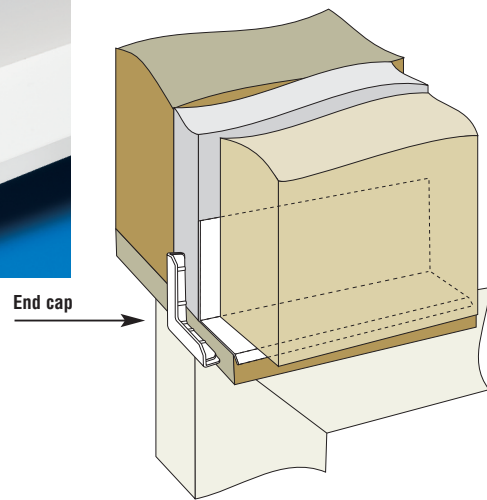
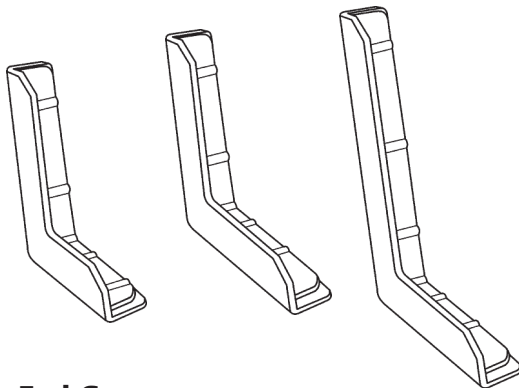
End Caps for Window/Door Drip Edges

Available in three dimensions, our new **End Caps** are the perfect complement to our Window/Door Drip Edges (SB and WDA series). They deliver increased moisture management in your EIFS projects, as well as good looks and a great finish.

- Blocks entry of pests - low profile design discourages nesting
- Superior moisture control
End caps direct water out the front of the window/door assembly.

Specification

End caps for SB and WDA series drip edges shall be Plastic Components, Inc. #WDEC2 or WDEC3 series. All exterior accessories shall be of PVC material conforming to ASTM standards D1784, C926, C1063 and D4216. They shall be used where specified by an architect and installed per industry standards.



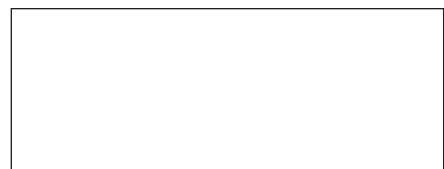
End Caps for SB series Drip Edge

Product Number	Back Flange Dimension	Bottom Flange Dimension	Sets per Box
WDEC2-1	2" (51 mm)	1" (25 mm)	25
WDEC2-15	2" (51 mm)	1-1/2" (38 mm)	25
WDEC2-2	2" (51 mm)	2" (51 mm)	25

for SB-EMT series Starter TRAC™ and WDA Arch Drip Edge

Product Number	Back Flange Dimension	Bottom Flange Dimension	Sets per Box
WDEC3-1	3" (76 mm)	1" (25 mm)	25
WDEC3-15	3" (76 mm)	1-1/2" (38 mm)	25
WDEC3-2	3" (76 mm)	2" (51 mm)	25

Distributed by



Note All butt joints, intersections and ends shall be caulked at the time of installation using an elastomeric sealant such as Plastic Components' Ultra-Tech™ (PC-ULTW).

