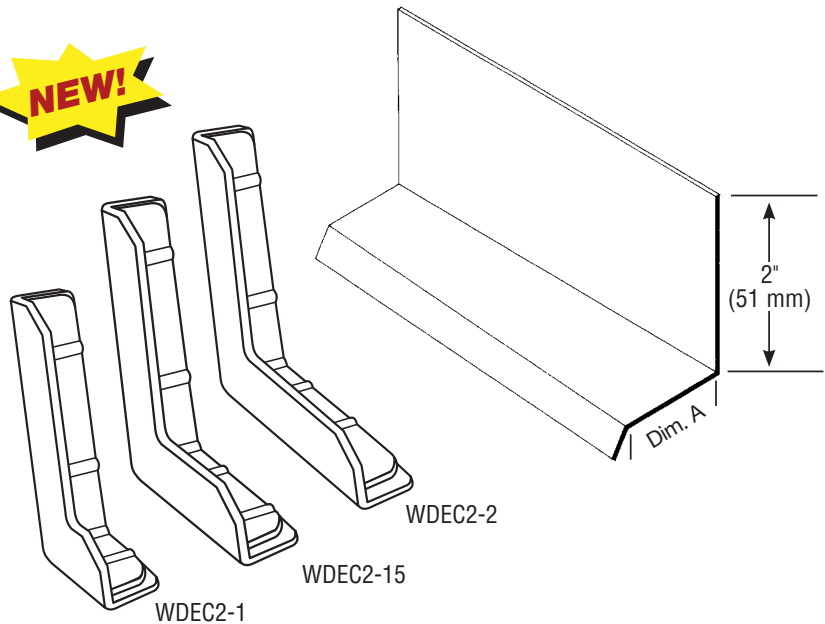


CI/EIFS/Hard Coat

Section: 07240

End Caps for SB Series

Product Number	Description/Dimensions		Sets per Box
	Back Flange	Bottom Flange	
WDEC2-1	2" (51 mm)	1" (25 mm)	25
WDEC2-15	2" (51 mm)	1-1/2" (38 mm)	25
WDEC2-2	2" (51 mm)	2" (51 mm)	25

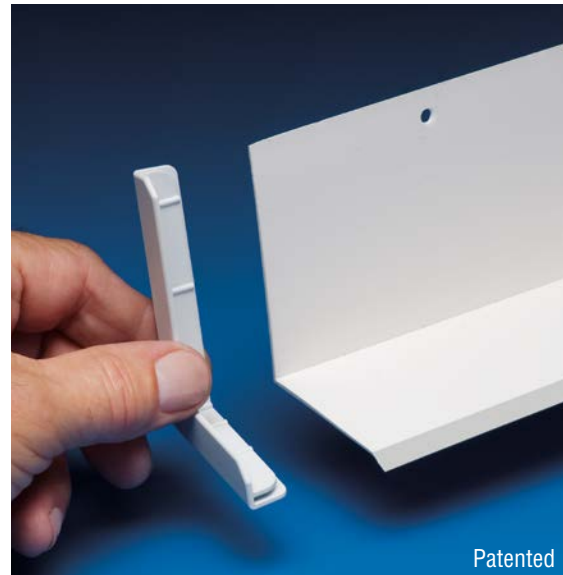


Application:

End caps for the SB series have a 2" (51 mm) back flange, provide protection against moisture intrusion by directing water out front of window/door assembly. Low profile design blocks pests/discouraging nesting.

Specifications:

End Caps shall be Plastic Components, Inc. #_____. All exterior accessories shall meet ASTM standards D1784, C1063 and D4216, shall be third party tested and Canadian Code Compliant. They shall be used where specified by the design authority and installed per industry standards.



The base coat mesh should be lapped over the top of the perforated flanges and across all butt joints.