

CI/EIFS/Hard Coat

Section: 07240

Two-Piece Hard Coat EIFS Casing Bead/STARTER TRAC™

Product Number	Dimension A	Dimension B	Pieces per Box
SC-1-15	1" (25 mm)	1/8" (3 mm)	50
SC-1-25	1" (25 mm)	1/4" (6 mm)	50
SC-1-38	1" (25 mm)	3/8" (10 mm)	50
SC-1-50	1" (25 mm)	1/2" (25 mm)	50
SC-15-25	1-1/2" (38 mm)	1/4" (6 mm)	40
SC-15-38	1-1/2" (38 mm)	3/8" (10 mm)	40
SC-15-50	1-1/2" (38 mm)	1/2" (25 mm)	40
SC-2-25	2" (51 mm)	1/4" (6 mm)	30
SC-2-38	2" (51 mm)	3/8" (10 mm)	30
SC-2-50	2" (51 mm)	1/2" (25 mm)	30

10' (3 m) Lengths

Add suffix "WP" to order with weep holes.
Example: SCWP-1-25

Also available without the Casing Bead
Order SC-1-15

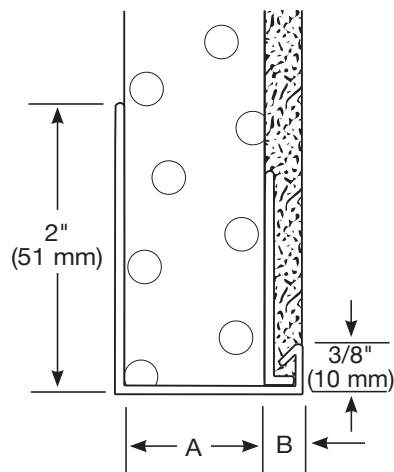


Application:

Two-piece starter strip locks into the finish. Protects EPS from damage at critical areas, gives positive protection. Eliminates back wrapping and finish of hard-to-reach areas. Can also be used as a casing bead in high impact areas.

Specifications:

Starter Strip/Casing Bead shall be Plastic Components, Inc. # _____. All exterior accessories shall meet ASTM standards D1784, C1063 and D4216, shall be third party tested and Canadian Code Compliant. They shall be used where specified by the design authority and installed per industry standards.



The base coat mesh should be lapped over the top of the perforated flanges and across all butt joints.

Patented

Warnock Hersey


PLASTIC PC™
COMPONENTS inc.

D-18

305.885.0561 ■ 800.327.7077
www.plasticcomponents.com