

# Direct Applied Finishes

Section: 07240

## Surface Mounted "L" Bead

Product Number	Dimension A	Dimension/Description	Pieces per Box
2221-38	3/8" (10 mm)	"L" Bead with 1-1/2" (38 mm) wide perforated and grooved flange. For exterior applications.	50
2221-50	1/2" (13 mm)		50
2221-58	5/8" (16 mm)		50
2221-1	1" (25 mm)		50

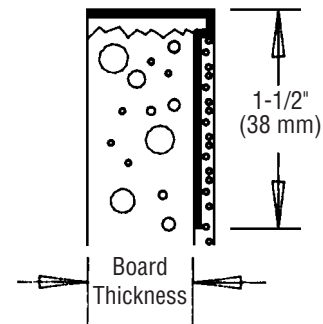
10' (3 m) Lengths

### Application:

A surface mounted "L" bead to be used at windows, doors or any termination point. Extra wide surface flange makes it possible to adjust and fill any gaps caused by short trimming of the sheathing board. Wide flange has striations and perforations to provide a positive bond of base to sheathing board. Has built-in 1/8" (3 mm) stop to ensure proper thickness of base and finish.

### Specifications:

Surface Mounted "L" Bead shall be Plastic Components Inc. # \_\_\_\_\_. All exterior accessories shall conform to ASTM standards D1784, C1063 and D4216. They shall be used where specified by the design authority and installed per industry standards.



The base coat mesh should be lapped over the top of the perforated flanges and across all butt joints.