

Direct Applied Finishes

Section: 07240

Veneer Corner Bead

Product Number	Product Size	Pieces per Box
4	2-1/2" x 2-1/2" flange (64 mm x 64 mm)	50

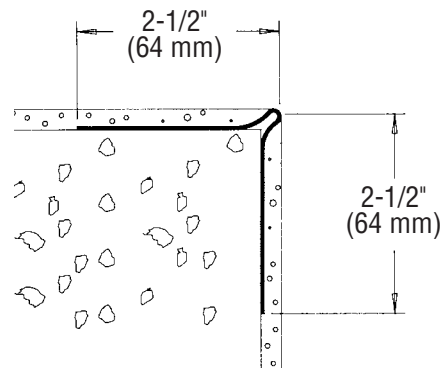
8' & 10' (2.5 & 3 m) Lengths

Application:

Eliminates the need to wrap corner. Large perforations allow base material to flow through and bond to substrate. Provides a straight, non-rusting and high impact resistant corner.

Specifications:

Corner bead shall be Plastic Components Inc. #4. All exterior accessories shall conform to ASTM standards D1784, C1063 and D4216. They shall be used where specified by the design authority and installed per industry standards.



The base coat mesh should be lapped over the top of the perforated flanges and across all butt joints.