

# CI/EIFS/Hard Coat

Section: 07240

## End Caps for SB-EMT Series

Product Number	Description/Dimensions		Sets per Box
	Back Flange	Bottom Flange	
<b>WDEC3-1</b>	3" (76 mm)	1" (25 mm)	25
<b>WDEC3-15</b>	3" (76 mm)	1-1/2" (38 mm)	25
<b>WDEC3-2</b>	3" (76 mm)	2" (51 mm)	25



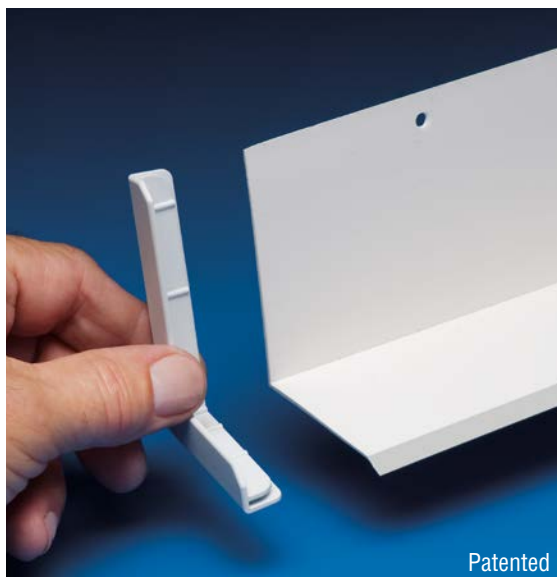
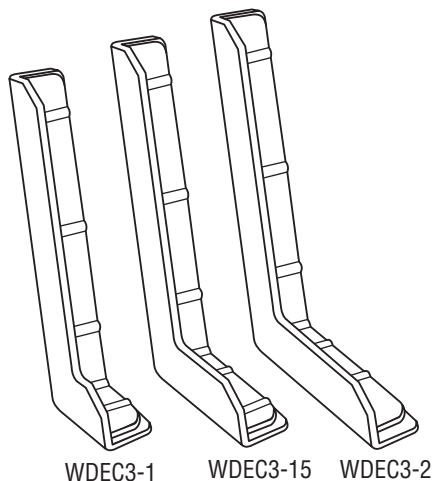
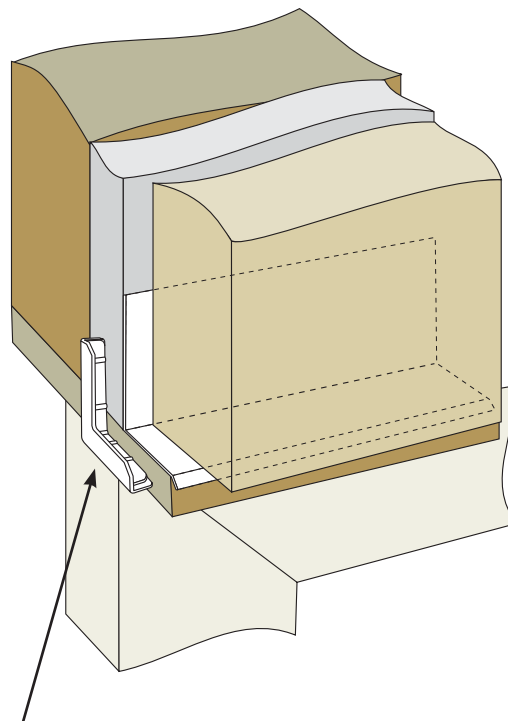
Patented

### Application:

End caps for the SB-EMT series have a 3" (76 mm) back flange, provide protection against moisture intrusion by directing water out front of window/door assembly. Low profile design blocks pests/discouraging nesting.

### Specifications:

End Caps shall be Plastic Components Inc. #\_\_\_\_\_. All exterior accessories shall meet ASTM standards D1784, C1063 and D4216, shall be third party tested and Canadian Code Compliant. They shall be used where specified by the design authority and installed per industry standards.



Patented

The base coat mesh should be lapped over the top of the perforated flanges and across all butt joints.