

CI/EIFS/Hard Coat

Section: 07240

End Caps for SB-EMT Series With 3" Back Flange

Product Number	Description/Dimensions		Sets Per Box
	Back Flange	Bottom Flange	
WDEC3-1	3" (76 mm)	1" (25 mm)	25
WDEC3-15	3" (76 mm)	1-1/2" (38 mm)	25
WDEC3-2	3" (76 mm)	2" (51 mm)	25

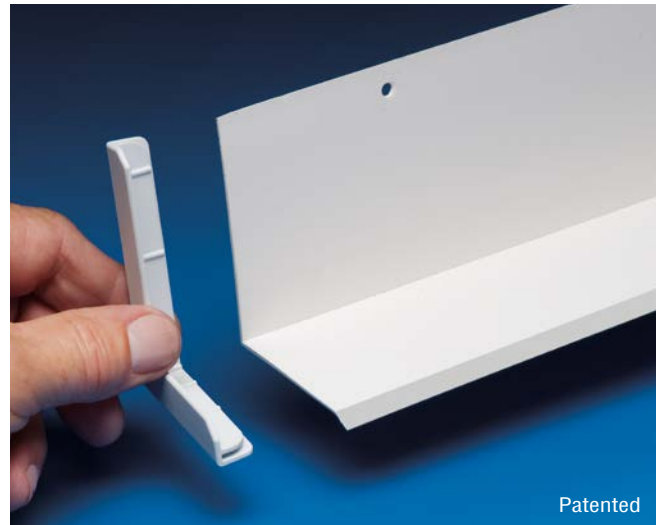
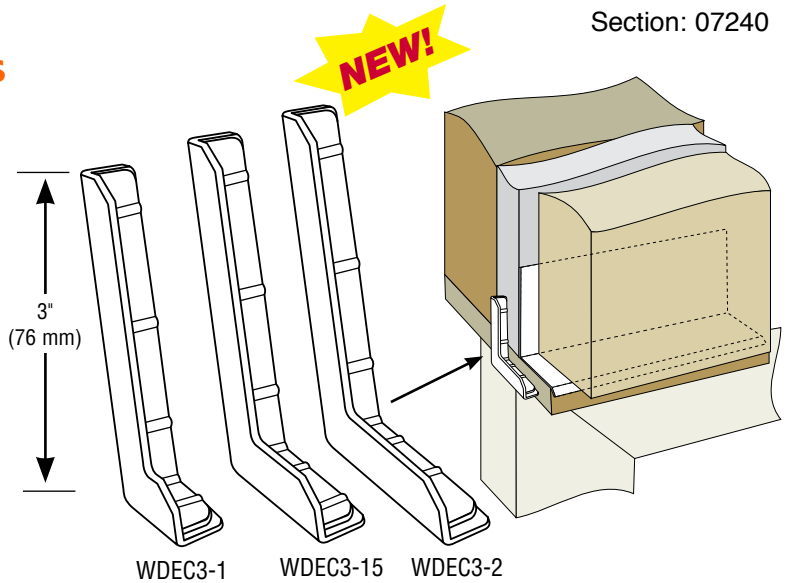
Patented

Application:

End Caps for SB-EMT Series direct water out the front of the window/door assembly. They block entry of pests – low profile design discourages nesting. Come in 3 sizes and deliver increased moisture management in your EIFS projects.

Specification:

End Caps for SB and WDA series drip edges will be Plastic Components, Inc. #_____. All exterior accessories shall meet ASTM standards D1784, C1063, C1861 and D4216, shall be third party tested and Canadian Code compliant. They shall be used where specified by the design authority and installed per industry standards.



Patented



The base coat mesh should be lapped over the top of the perforated flanges and across all butt joints.

800.327.7077 ■ Fax 305.887.2452
www.plasticcomponents.com