

CI/EIFS/Hard Coat

Section: 07240

EIFS "M" Control Joint

Product Number	Dimensions/Descriptions	Pieces Per Box
2138XS	Surface mounted expansion joint for 3/8" (10 mm) thick finish—has removable tape.	50

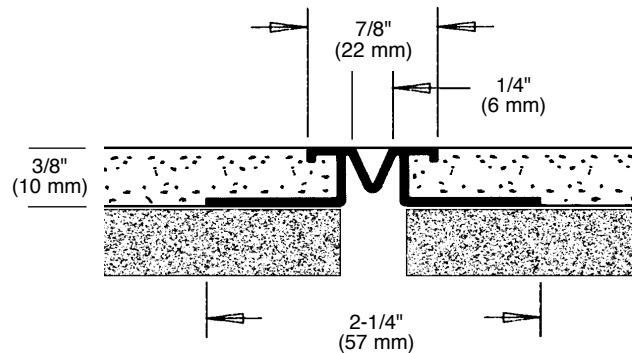
10' (3 m) Lengths

Application:

This surface mounted control joint may be used with a fiber reinforced modified stucco system. Excellent paint adhesion.

Specification:

"M" Control Joint will be Plastic Components, Inc. #_____. All exterior accessories shall meet ASTM standards D1784, C1063, C1861 and D4216, shall be third party tested and Canadian Code compliant. They shall be used where specified by the design authority and installed per industry standards.



The base coat mesh should be lapped over the top of the perforated flanges and across all butt joints.

800.327.7077 ■ Fax 305.887.2452
www.plasticcomponents.com