

# Direct Applied Finishes

Section: 07240

## STARTER TRAC®

Product Number	Description	Dimension A	Pieces Per Box
<b>ST-50</b>	Can be used as STARTER TRAC or casing bead. Front return is 3/4" (19 mm) with striations and perforations for positive bonding of base to foam board. There is no Drip Edge. Ideal for use where finished edge is exposed. 3" (76 mm) wide nailing flange.	1/2" (13 mm)	35
<b>ST-58</b>	Can be used as STARTER TRAC or casing bead. Front return is 3/4" (19 mm) with striations and perforations for positive bonding of base to foam board. There is no Drip Edge. Ideal for use where finished edge is exposed. 3" (76 mm) wide nailing flange.	5/8" (16 mm)	35

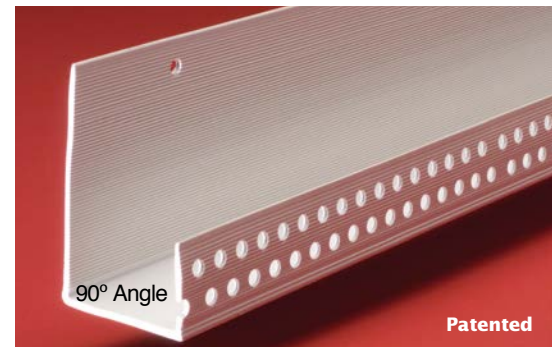
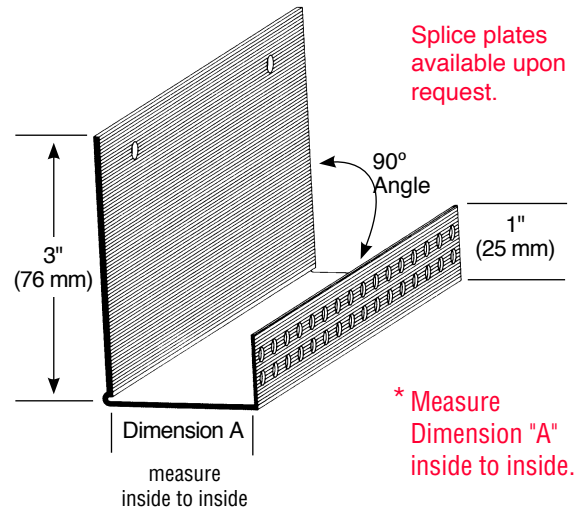
10 (3 m) Lengths

### Application: ST-50/58, STWP-50/58

Can be used as a STARTER TRAC® at the base of a wall or an EIFS Casing Bead around window and door openings. Face return flange is 1" (25 mm) with striations which provide a strong physical bond for the base coat and perforations for bonding the base to the substrate. Available with weep holes. Ideal for use where finished edge is exposed. 3" (76 mm) wide nailing flange also has striations for extra bonding.

### Specification:

STARTER TRAC® will be Plastic Components, Inc. # \_\_\_\_\_.  
 All exterior accessories shall meet ASTM standards D1784, C1063, C1861 and D4216, shall be third party tested and Canadian Code compliant. They shall be used where specified by the design authority and installed per industry standards.



The base coat mesh should be lapped over the top of the perforated flanges and across all butt joints.

**800.327.7077 ■ Fax 305.887.2452**  
**www.plasticcomponents.com**