

Direct Applied Finishes

Section: 07240

Surface Mounted "J" Bead



| Product Number | Dimension/Description | Pieces Per Box |
|----------------|---|----------------|
| 2201-38 | 1-1/2" (38 mm) wide perforated and grooved flange. For exterior applications. | 50 |
| 2201-50 | | 50 |
| 2201-58 | | 50 |

10' (3 m) Lengths

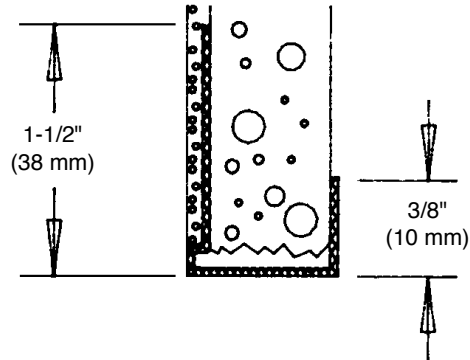


Application:

A surface mounted bead design that protects the bottom edge of the sheathing board and eliminates the need for costly back wrapping. Has a wide return flange with striations and perforations for positive bond of base coat to casing bead and surface of sheathing material. Has built-in 1/8" (3 mm) stop to ensure proper thickness of base and finish.

Specification:

Surface Mounted "J" Bead will be Plastic Components, Inc. #_____. All exterior accessories shall meet ASTM standards D1784, C1063, C1861 and D4216, shall be third party tested and Canadian Code compliant. They shall be used where specified by the design authority and installed per industry standards.



The base coat mesh should be lapped over the top of the perforated flanges and across all butt joints.

800.327.7077 ■ Fax 305.887.2452
www.plasticcomponents.com