

# Stucco and Plaster

Section: 09200

## Drip Screed

| Product Number | Ground       | Dimensions/Descriptions   | Pieces per Box |
|----------------|--------------|---|----------------|
| 540-50         | 1/2" (13 mm) | Soffit drip screed with 2" x 2" perforated flange. (51 mm x 51 mm). | 15             |
| 540-58         | 5/8" (16 mm) |   | 15             |
| 540-75         | 3/4" (19 mm) |   | 15             |
| 540-78         | 7/8" (22 mm) |   | 15             |

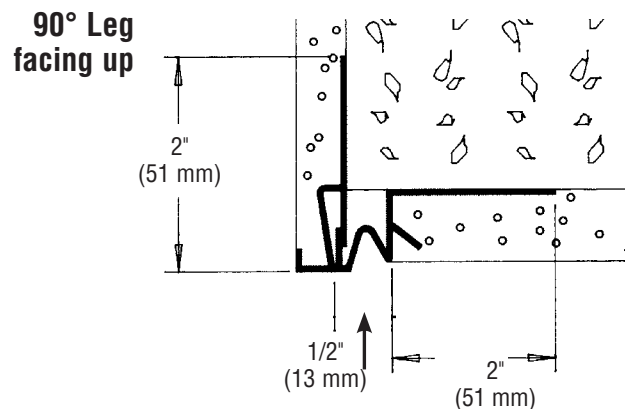
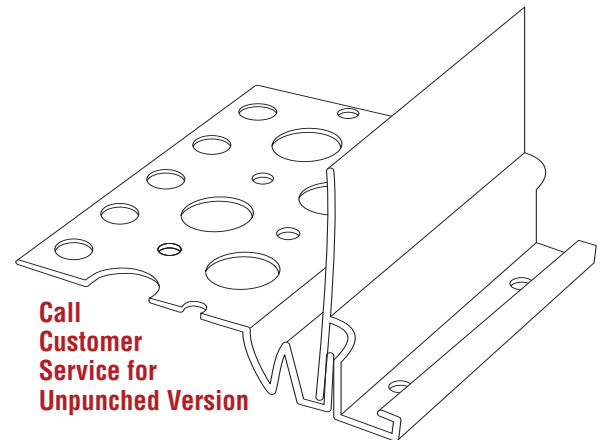
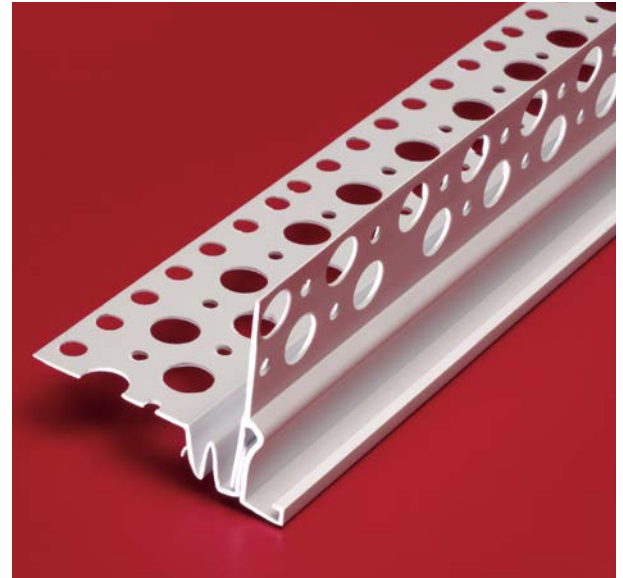
10' (3 m) Lengths • **Product ships unassembled.**

### Application:

Prevents water from turning under and back into the soffit. Also serves as an expansion joint.

### Specifications:

Drip Screed shall be Plastic Components, Inc. # \_\_\_\_\_.  
All exterior accessories shall be of PVC material conforming to ASTM standards D1784, C1063, C1861 and D4216. They shall be used where specified by the design authority and installed per industry standards.



All butt joints, intersections and ends shall be caulked at the time of installation using an elastomeric sealant, such as Plastic Components' Ultra-Tech™ (PC-ULTW).