

CI/EIFS/Hard Coat

WDA Window/Door Arch Drip Edge

Product Number	Description	Dimension A	Pieces per Box
WDA-75	3-1/2" (89 mm) wide flange head flashing for windows and doors.	3/4" (19 mm)	30
WDA-1		1" (25 mm)	30
WDA-1125		1-1/8" (29 mm)	30
WDA-15		1-1/2" (38 mm)	30
WDA-175		1-3/4" (45 mm)	30
WDA-2		2" (51 mm)	30
WDA-25		2-1/2" (64 mm)	30

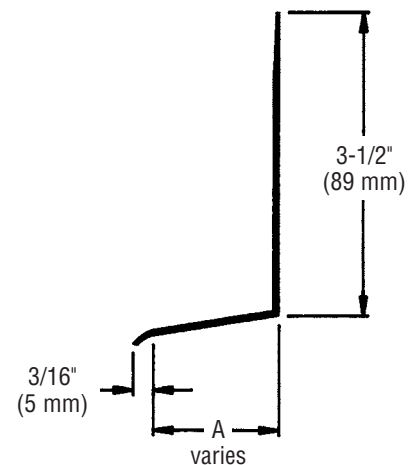
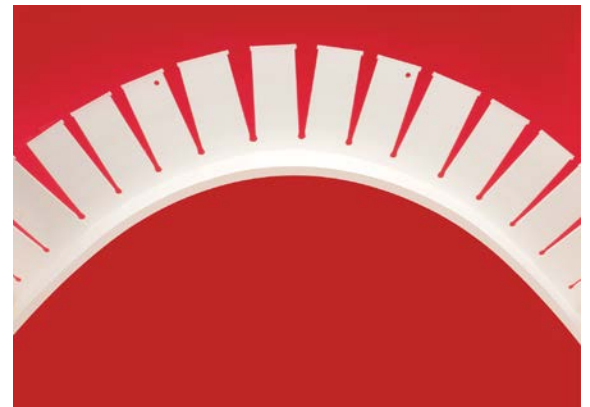
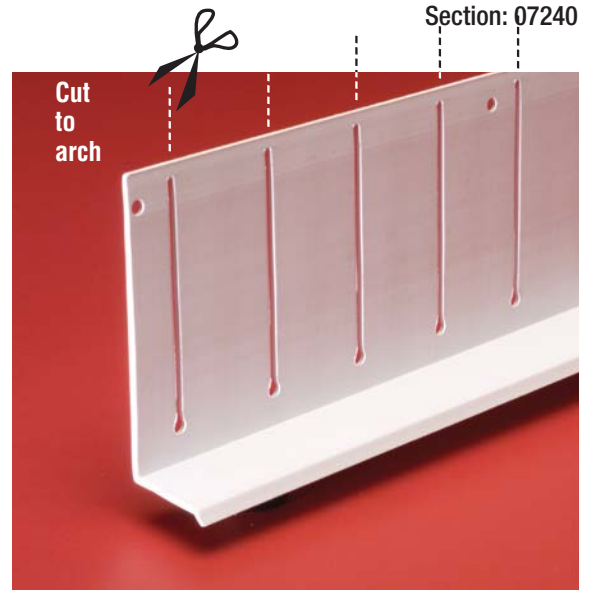
10' (3 m) Lengths

Application:

A 3-1/2" (89 mm) wide flange head flashing for windows or doors. Positive angled to move any incidental moisture away from structure. Nailing flange is pre-slotted to reduce labor when an arched condition exists.

Specifications:

Window/Door Drip Edge shall be Plastic Components Inc. #_____. All exterior accessories shall conform to ASTM standards D1784, C1063 and D4216. they shall be used where specified by the design authority and installed per industry standards.



The base coat mesh should be lapped over the top of the perforated flanges and across all butt joints.

