

CI/EIFS/Hard Coat

Section: 07240

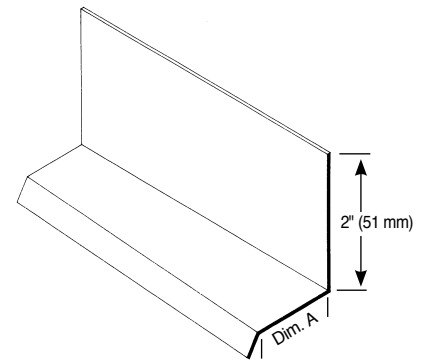
Window/Door Drip Edge

Product Number	Description	Dimension A	Pieces Per Box
SB-50	Window or door drip edge with 2" (51 mm) back flange.	1/2" (13 mm)	100
SB-58		5/8" (16 mm)	100
SB-75		3/4" (19 mm)	100
SB-78		7/8" (22 mm)	75
SB-1		1" (25 mm)	75
SB-15		1-1/2" (38 mm)	60
SB-2		2" (51 mm)	50
SB-25		2-1/2" (64 mm)	30
SB-3		3" (76 mm)	30
SB-4		4" (102 mm)	25
SB-1-25X	For 1/4" (6 mm) finishes		70

10' (3 m) Lengths



Also available in Tan and Gray, contact Customer Service at (800) 327-7077 for more information.



Application:

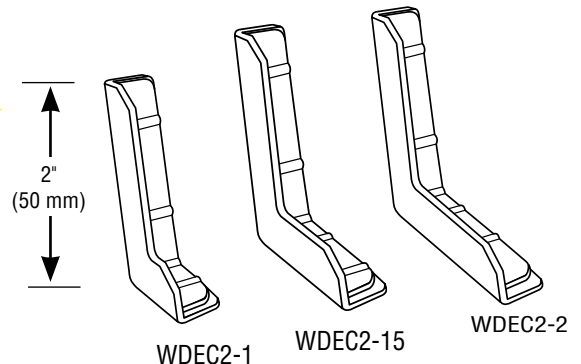
Window or door drip edge. Sloped front edge allows moisture to shed down surface and not enter into the framing.

Specification:

Window/Door Drip Edge will be Plastic Components, Inc. #_____. All exterior accessories shall meet ASTM standards D1784, C1063, C1861 and D4216, shall be third party tested and Canadian Code compliant. They shall be used where specified by the design authority and installed per industry standards.

End Caps for SB Series With 2" Back Flange

Product Number	Description/Dimensions Back Flange	Bottom Flange	Sets Per Box
WDEC2-1	2" (51 mm)	1" (25 mm)	25
WDEC2-15	2" (51 mm)	1-1/2" (38 mm)	25
WDEC2-2	2" (51 mm)	2" (51 mm)	25



Application:

End caps for the SB series have a 2" (51 mm) back flange, provide protection against moisture intrusion by directing water out front of window/door assembly. Low profile design blocks pests/discouraging nesting.



The base coat mesh should be lapped over the top of the perforated flanges and across all butt joints.

800.327.7077 ■ Fax 305.887.2452
www.plasticcomponents.com