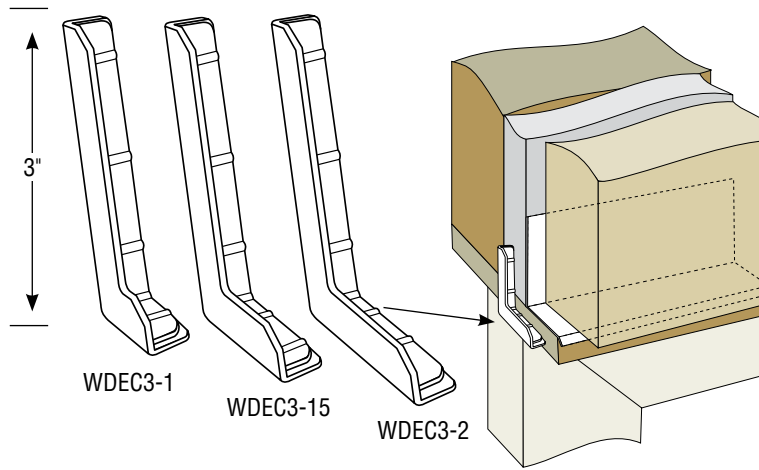


Lumber, Building Materials

End Caps for WDA Window/Door Arch Drip Edge With 3" Back Flange

| Product Number | Description/Dimensions | | Sets Per Box |
|-----------------|------------------------|----------------|--------------|
| | Back Flange | Bottom Flange | |
| WDEC3-1 | 3" (76 mm) | 1" (25 mm) | 25 |
| WDEC3-15 | 3" (76 mm) | 1-1/2" (38 mm) | 25 |
| WDEC3-2 | 3" (76 mm) | 2" (51 mm) | 25 |



Application:

End Caps for WDA Window/Door Arch Drip Edges direct water out the front of the window/door assembly. They block entry of pests. The low profile design discourages nesting. Comes in 3 sizes and delivers increased moisture management in your EIFS projects.

Specification:

End Caps for WDA Window/Door Arch Drip Edges will be Plastic Components, Inc. #_____. All exterior accessories shall meet ASTM standards D1784, C1063, C1861 and D4216, shall be third party tested and Canadian Code compliant. They shall be used where specified by the design authority and installed per industry standards.

