

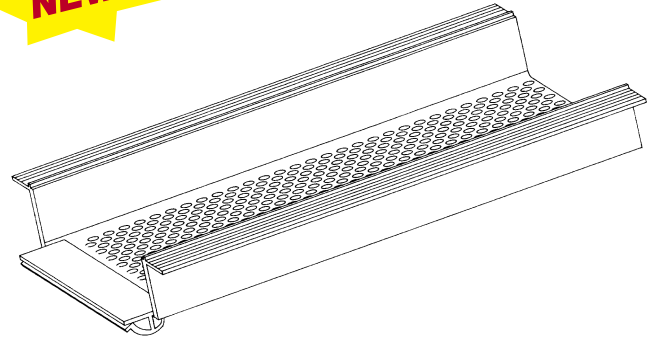
# Lumber, Building Materials

## Continuous Soffit Vent

Product Number	Vent Area	Free Air Flow Per Linear ft	Pieces Per Box
<b>548-58HI</b>	2-5/8" (67 mm)	14 sq. in. (9,033 sq. mm)	13

10' (3 m) Lengths – Connector clips included.

Use with any sheathing product.



### Application: Soffit Vent

Designed specifically for sheathing products. Has a built-in stop (1/8"-3 mm) to assure proper base thickness as well as maintaining a clean finish edge. The stop flange is serrated for positive material bond. Will not rust, excellent paint adhesion. Connector clips are provided to eliminate sagging at butt joints.

### Specification:

Soffit Vent will be Plastic Components, Inc. #\_\_\_\_\_. All exterior accessories shall meet ASTM standards D1784, C1063, C1861 and D4216, shall be third party tested and Canadian Code compliant. They shall be used where specified by the design authority and installed per industry standards.

