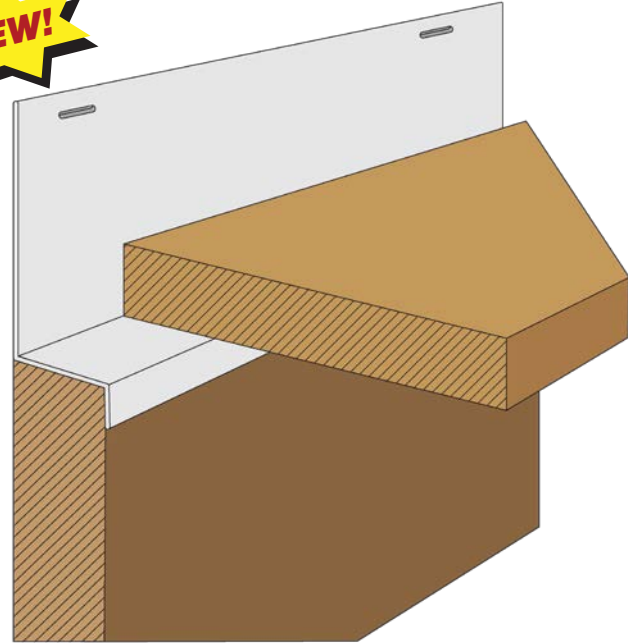


# Lumber, Building Materials

## Heavy Duty Deck Flashing



Product Number	Color	Description Dimensions	Pieces per Box
<b>SBZ-150DF</b>	White	Deck Flashing: 3-1/2" (89 mm) back flange,	30
<b>SBZ-150DFGR</b>	Grey	1-1/2" (38 mm) horizontal flange and 1/2" (13 mm) lip.	30
<b>SBZ-150DFT</b>	Tan		30



### Application

Plastic Components' Deck Flashing protects the edges of pressure-treated decking material against damage and moisture infiltration by redirecting water flow away from the edge.

- Heavy-duty UV rated plastic for long outdoor life
- Pre-drilled oval slots in 3-1/2" (89 mm) high flange
- Unaffected by chemicals in pressure treated lumber
- Available in white, tan and gray

