

# Stucco and Plaster

Section: 09200



## ULTRA DRAIN MAT™



Product Number	Thickness	Description	Roll Dimensions	Coverage	Rolls per Pallet
UDM-25	.25" (6 mm)	Drainage mat, ventilation system made of durable 2-ply polymer. Fabric backed.	39" x 61.5' (99 cm x 18.75 m)	200 sf (18.58 m <sup>2</sup> )	18
UDM-40	.40" (10 mm)		39" x 40' (99 cm x 12.2 m)	130 sf (12.08m <sup>2</sup> )	18



### STONE VENEER Installation

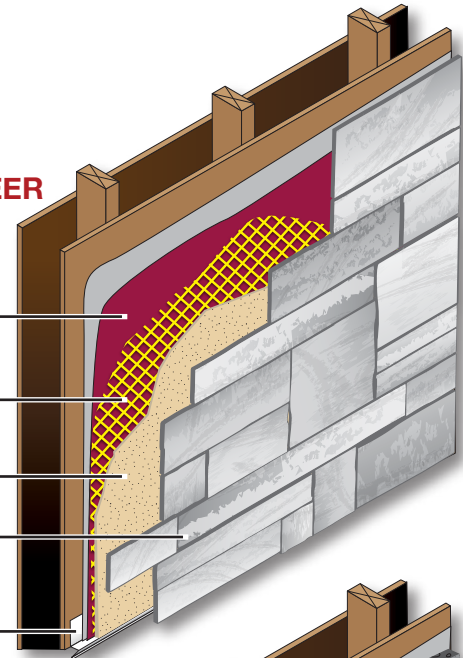
Ultra Drain Mat™

Ultra-Lath Plus® Plastic Lath

Scratch Coat

Stone Veneer

Foundation Weep Screed



### Application:

Available in 0.25" (6 mm) and 0.40" (10 mm) thicknesses, Plastic Components' ULTRA DRAIN MAT™ is a drainage and ventilation system specifically designed for use with most exterior cladding systems. Note: 0.40" (10 mm) thickness meets Canadian standards. Meets 2021 IBC code for WRB (water resistant barrier) protection for stucco over wood-based sheathing applications in residential construction.

### Specifications:

#### BENEFITS

- 95% open design creates a continuous capillary break and channel for moisture to drain – also accelerates drying of the exterior cladding
- Durable polymer material resists most known corrosive chemicals – does not provide a food source for mold or mildew
- Minimizes staining, peeling and blistering of exterior finishes
- Made from recycled materials qualifying for LEED credits
- Quick, simple installation – Easier and more cost-effective than traditional furring strip methods.
- 2-ply design features backer fabric that improves the tensile and compressive strength properties of the rainscreen – also deflects mortar when used with stucco or masonry veneer siding
- Integrated insect screen

### STUCCO WALL Installation

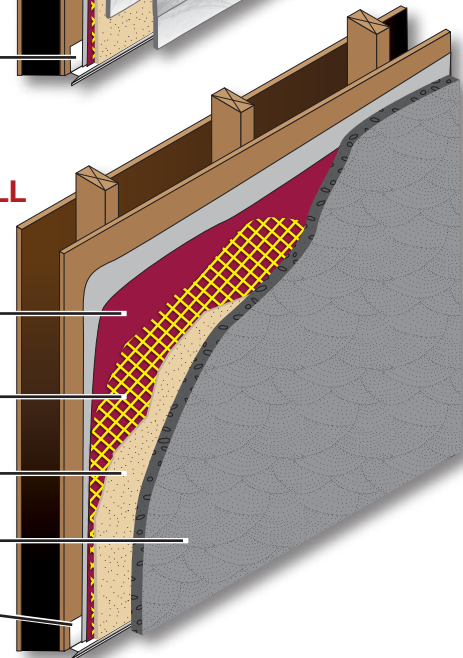
Ultra Drain Mat™

Ultra-Lath Plus® Plastic Lath

Scratch Coat

Stucco

Foundation Weep Screed



**PLASTIC PC**™  
**COMPONENTS** inc.

305.885.0561 ■ 800.327.7077  
www.plasticcomponents.com