

Lumber, Building Materials

Roof Rake Drip Edge Flashing

Product Number	Description	Dimension A	Pieces Per Box
SBRF-75	Protects roof from water intrusion along the eave. Can be used with variable pitch and uneven or contoured roof lines.	3/4" (19 mm)	100
SBRF-1		1" (25 mm)	75
SBRF-15		1-1/2" (38 mm)	60
SBRF-2		2" (51 mm)	50

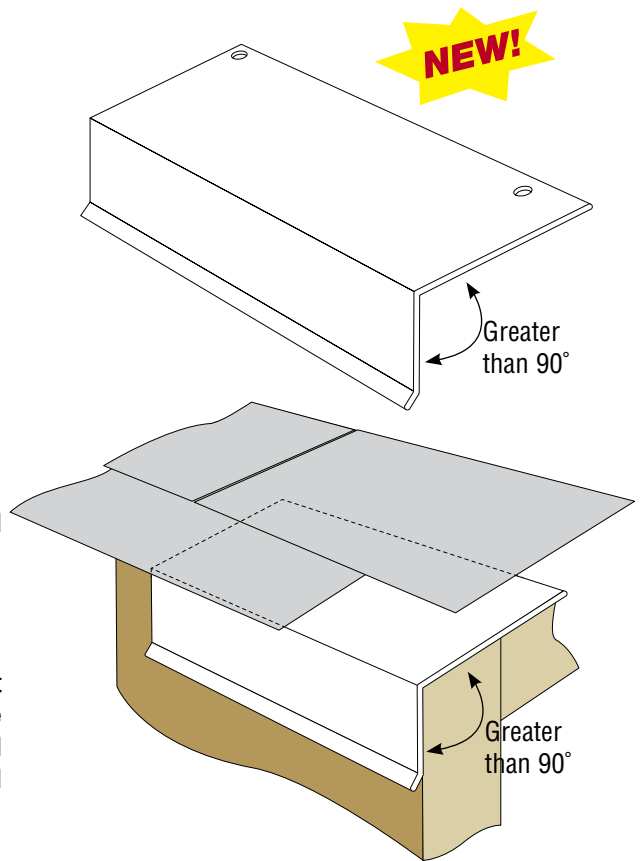
10' (3 m) Lengths

Application:

Protects roof from water intrusion along the eave. Can be used with variable pitch and uneven or contoured roof lines.

Specification:

Roof Rake Drop Edge Flashing will be Plastic Components, Inc. # _____. All exterior accessories shall meet ASTM standards D1784, C1063, C1861 and D4216, shall be third party tested and Canadian Code compliant. They shall be used where specified by the design authority and installed per industry standards.



PLASTIC PCTM
COMPONENTS inc.

800.327.7077 ■ Fax 305.887.2452
www.plasticcomponents.com