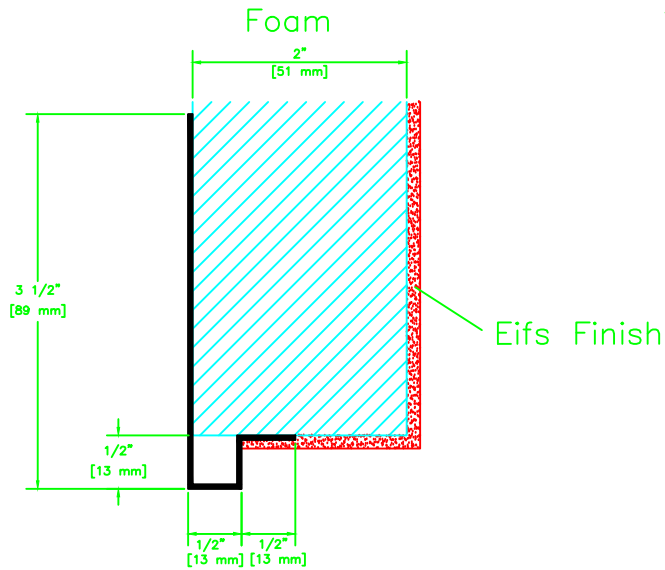
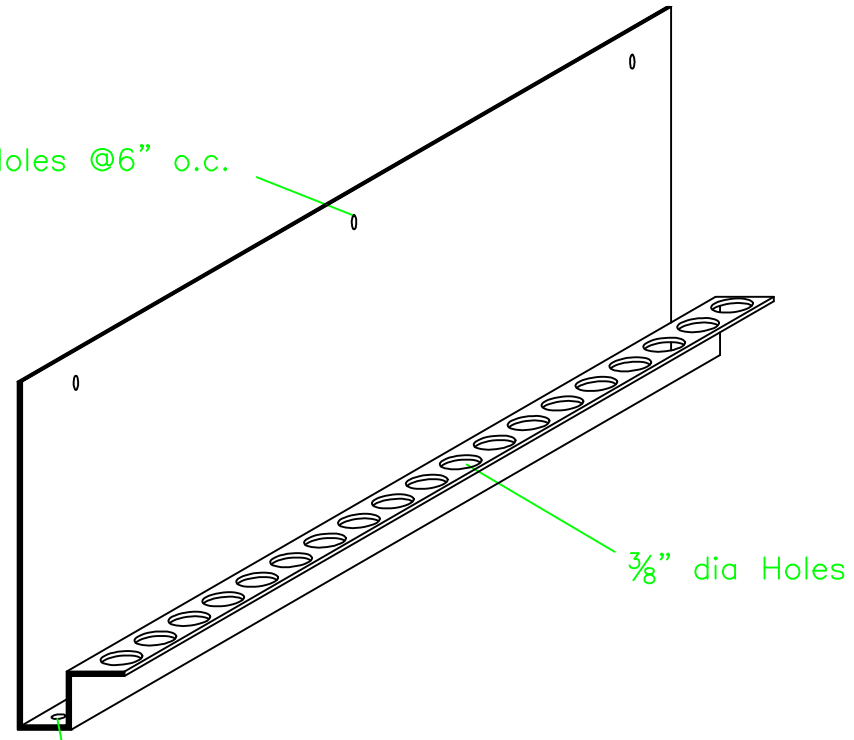


# U-DRIP TRAC



1/8" dia Holes @6" o.c.



1/8" dia Weep @6" o.c.

It is customer responsibility to verify that these drawing are accurate and consistent with the requirements of the job.

CUSTOMER APPROVAL:

Signature \_\_\_\_\_

Date \_\_\_\_\_

**PLASTIC PC**  
**COMPONENTS** inc.

PART NUMBER: TBD

Date: 12/8/16

Revision:

Job Name:

Scale: N.T.S.

Sheet: 1