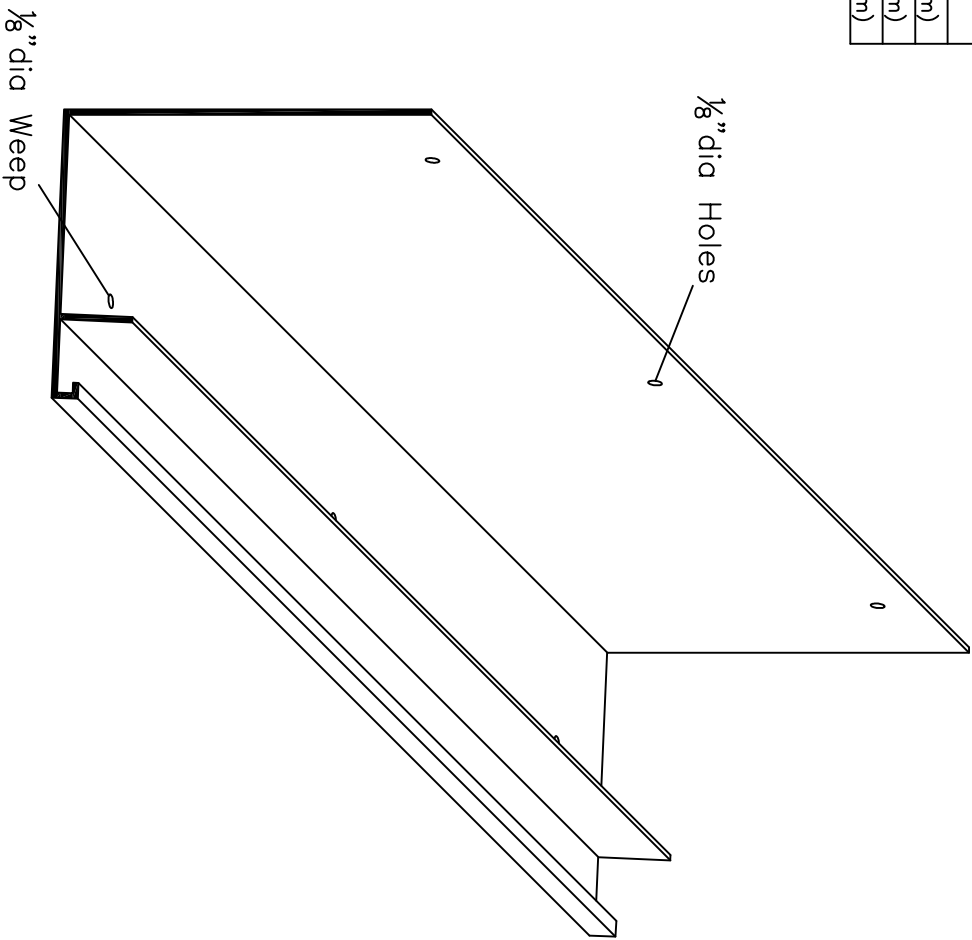
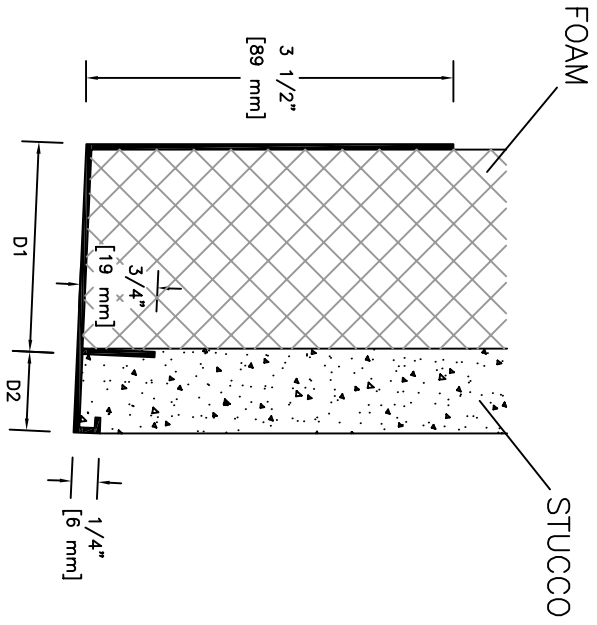


Product	D1	D2	
STCI-1.5	1 1/2" (38mm)	3/4" (19mm)	7/8" (22mm)
STCI-2.0	2" (50mm)	3/4" (19mm)	7/8" (22mm)
STCI-2.5	2 1/2" (63mm)	3/4" (19mm)	7/8" (22mm)



PART NUMBER: STCI

Date: 03/27/19

Revision:

Scale: N.T.S.

Sheet: 1