

# Direct Applied Finishes

Section: 07240

## "M" Control Joint

Product Number	Dimension A	Foam Thickness	Pieces per Box
2250	1/2" (13 mm)	1/2" (13 mm)	25
2258	5/8" (16 mm)	5/8" (16 mm)	20

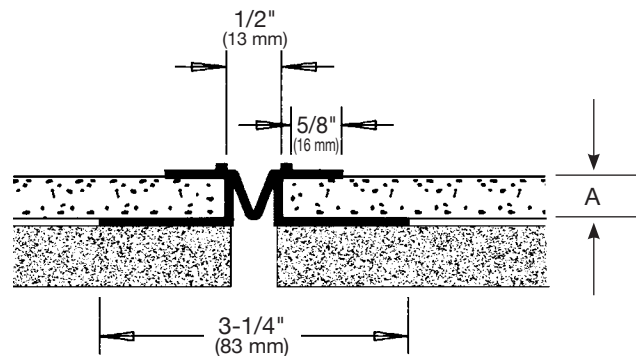
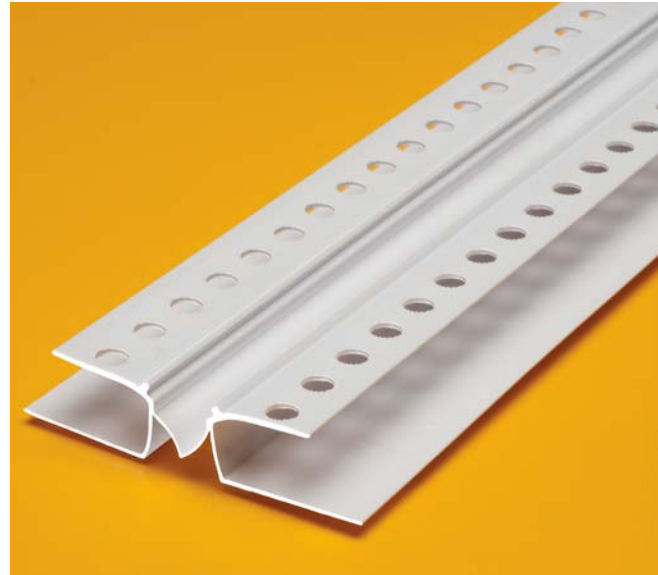
10' (3 m) Lengths

### Application:

Designed for either vertical or horizontal application. Sheathing board slides in between nailing flange and perforated "wings". "Wings" have stops to ensure a clean, straight line during application of ground coat and finish. Perforations assure positive bond of ground coat to substrate.

### Specifications:

"M" Control Joint shall be Plastic Components Inc. #\_\_\_\_\_. All exterior accessories shall conform to ASTM standards D1784, C1063 and D4216. They shall be used where specified by the design authority and installed per industry standards.



The base coat mesh should be lapped over the top of the perforated flanges and across all butt joints.