

## Dryer Vent Mounting Block Kit

For New Construction · All Siding Types

**The neat way to install a dryer vent on new siding**

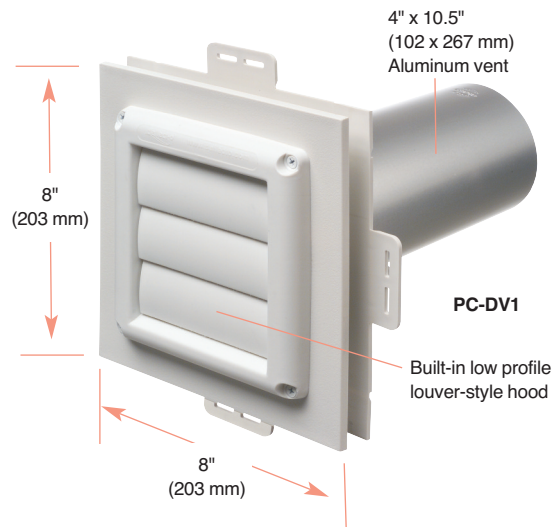


Our one-piece, non-metallic dryer vent mounting block kit provides the secure, attractive *and time-saving* way to install dryer vents on new siding.

Our 8 x 8 inch (203 x 203 mm) dryer vent mounting block kit comes with a low profile, louver-type hood, a snap-together 4" aluminum tube and a siding block with built-in J-channel. It fits all siding types: 1/2" and 5/8" (13 and 16 mm) step, and dutch lap.

UV rated, and weather-resistant for long outdoor life, they are also paintable to match any color scheme.

- Clean, attractive installation – overhang covers cut ends of siding. Smooth vertical mounting of dryer vents on any siding type
- Easy installation on new siding
- Pre-mounted vent: 4" x 10.5" (102 x 267 mm) tube



Product Number	Size	Description Dryer Vent Mounting Block Kit	Unit Pkg	Std Pkg
<b>PC-DV1</b>	8" x 8" (203 x 203 mm)	Vented plastic block. Mounts before siding on any siding type.	1	10

### Installation BEFORE siding



**1** Cut hole in substrate with a 4-1/2" hole saw. Insert vent tube into opening.



**2** Use screws to mount dryer vent to substrate through flanges.



**3** Install siding. Overhang on vent flange hides cut ends of siding.

All butt joints, intersections and ends shall be caulked at the time of installation using an elastomeric sealant, such as Plastic Components' Ultra-Tech™ elastomeric sealant with 800% elongation (PC-ULTW).



Distributed by